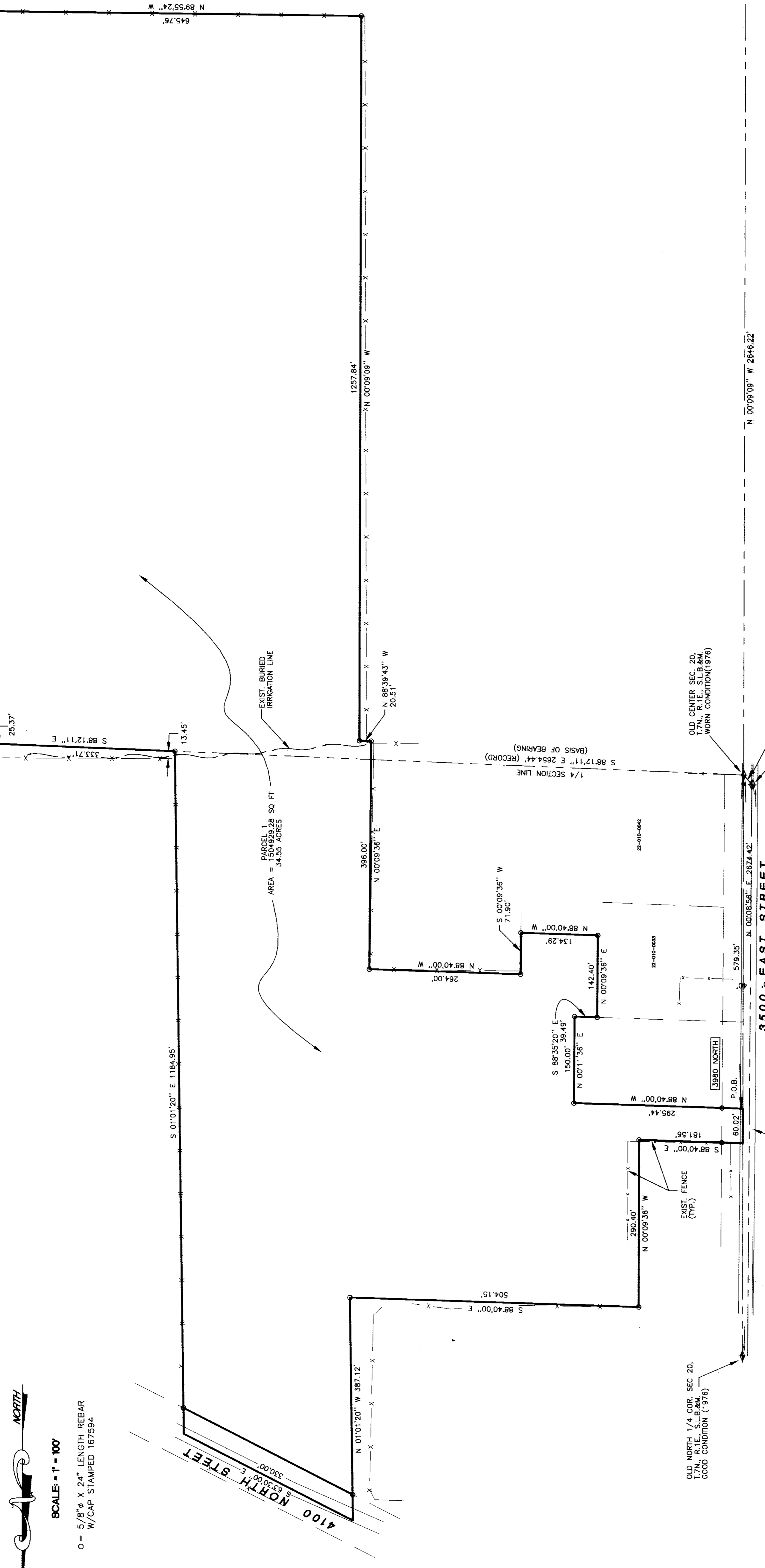
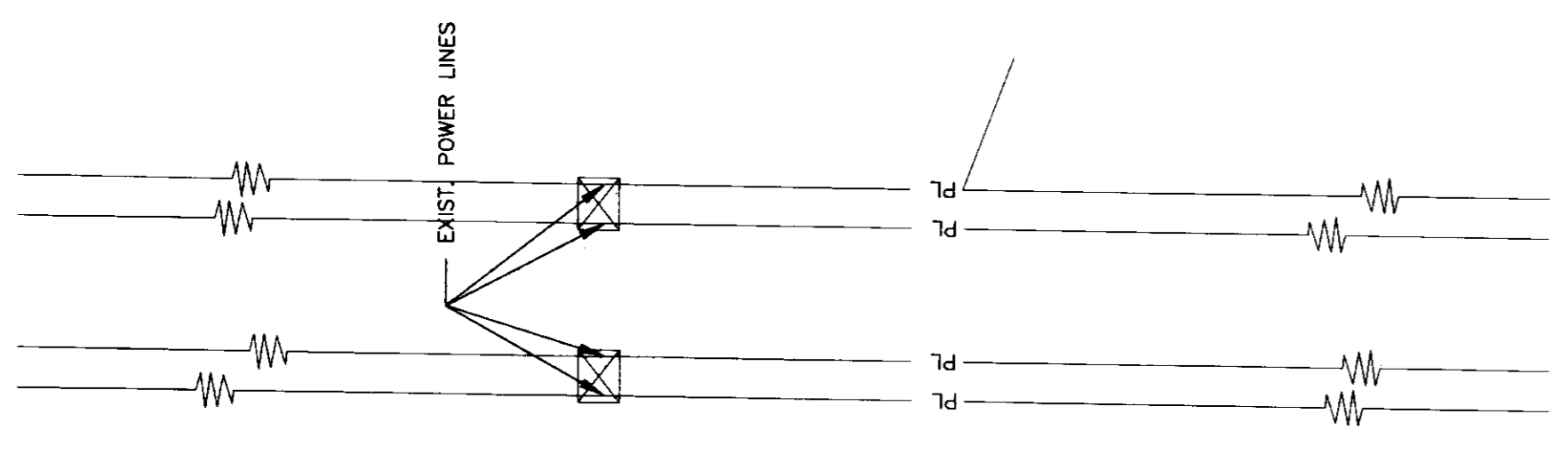


EAST 1/4 COR. SEC. 20,
17N., R.1E., S.18&M
WEBER COUNTY BRASS CAP



ACRITZ
SCALE = 1" = 100'
0" = 5/8" X 24" LENGTH REBAR
W/CAP STAMPED 167594

RECEIVED
APR 1, 2000
Weber County Surveyor

SOUTH 1/4 COR. SEC. 20,
17N., R.1E., S.18&M
WEBER COUNTY BRASS CAP

•BOUNDARY DESCRIPTION•

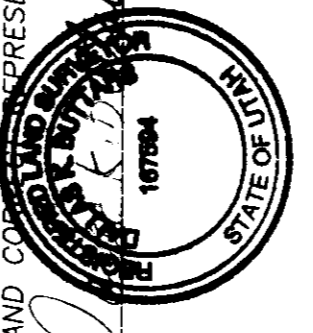
RANGE PART OF THE SOUTH HALF OF SECTION 20, TOWNSHIP 7 NORTH,
AS FOLLOWS: BEG. AT POINT ONE, AND BEING: U.S. SURVEY, DESCRIBED
SOUTH 4118'06" EAST 21.92' FEET TO THE OLD CENTER OF SAID
579.35' FEET FROM THE NEW CENTER OF SAID SECTION 20, SECTION LINE
THENCE NORTH 00709'36" EAST ALONG THE OLD SECTION LINE 80.02'
0709'36" WEST 290.49' FEET; THENCE SOUTH 88°40'00" EAST
ALONG AN EXISTING FENCE 114.95' FEET; THENCE SOUTH 88°40'00" EAST
CENTERLINE OF 4100 NORTH STREET; THENCE SOUTH 63°30'00" EAST
WEST 332.7' FEET TO AN EXISTING FENCE; THENCE SOUTH 00715'40"
LINE OF UTAH POWER AND LIGHT COMPANY AND AN EXISTING FENCE;
EXISTING FENCE 845.78' FEET; THENCE NORTH 00709'09" WEST 1207.84'
0709'36" EAST 384.00' FEET; THENCE NORTH 88°40'00" WEST
184.00' FEET; THENCE SOUTH 00023'36" WEST 71.90' FEET; THENCE
142.40' FEET; THENCE SOUTH 88°35'24" EAST 39.49' FEET; THENCE
285.44' FEET TO THE POINT OF BEGINNING.
CONTAINS 34.55 ACRES.

•NARRATIVE•

THE PURPOSE OF THIS SURVEY WAS TO ESTABLISH THE BOUNDARY OF THE
CURBING OF THE SOUTH HALF OF SECTION 20, TOWNSHIP 7 NORTH,
BECAUSE OF AN EARLIER SURVEY, ITS POSITION WAS FOUND TO BE
TO THE RURAL PROPERTY LINE. SEVERAL DEEDS WERE COMBINED TO ESTABLISH
THIS BOUNDARY.

•SURVEYORS CERTIFICATE•

I, DALLAS K. BUTTARS, A PROFESSIONAL LICENSED LAND
SURVEYOR AS PRESCRIBED BY THE LAWS OF THE STATE OF UTAH, AND
THAT I MADE A SURVEY OF THE BELOW DESCRIBED PROPERTY
AND THE PLAT HEREON IS A TRUE AND CORRECT REPRESENTATION
OF SAID SURVEY.
DATE: 4-11-00 SIGNED:



LANDMARK SURVEYING
A COMPLETE SURVEYING SERVICE
1701 N. 1000 E. SUITE 200
PH. 807-244-1000
CUBEN: DICK DIXON
LOCATION: 1701 N. 1000 E. SUITE 200
DRAWN BY:
CHECKED BY: D. BUTTARS
DATE: 9-10-97
FILE: 1795-2.DWG