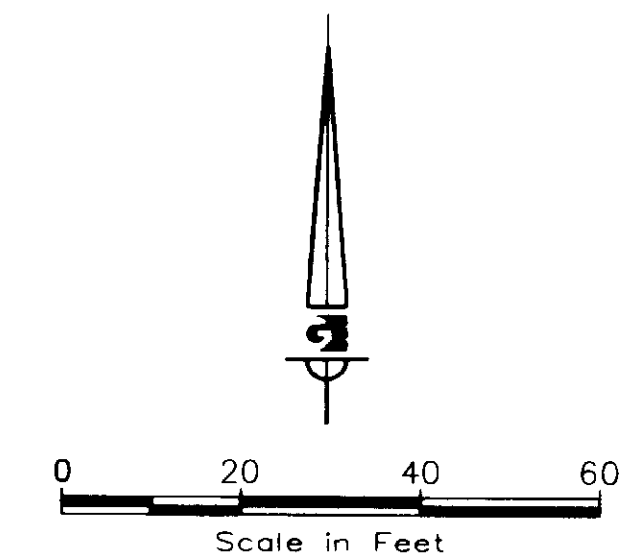


# LOT 21 BIG SKY ESTATES RECORD OF SURVEY

LOCATED IN THE N.W. 1/4 OF SECTION 33  
T7N, R1E, SLB & M, U.S. SURVEY  
WEBER COUNTY, UTAH

APRIL 2007



**NARRATIVE**

THIS SURVEY WAS COMPLETED TO DETERMINE THE BOUNDARY OF LOT 21, BIG SKY ESTATES SUBDIVISION. REBAR AND CAPS SET BY REEVES WERE FOUND AND HELD ALONG SOUTHERLY LINE OF THE PROPERTY. A 5/8 REBAR WAS FOUND AND HELD ON THE NORTHWESTERLY PROPERTY CORNER ALONG PANORAMA CIRCLE. A GARDNER ENGINEERING REBAR AND CAP WAS SET ON THE NORTHEASTERLY CORNER OF SAID LOT.

**BOUNDARY DESCRIPTION**

**LOT 21**

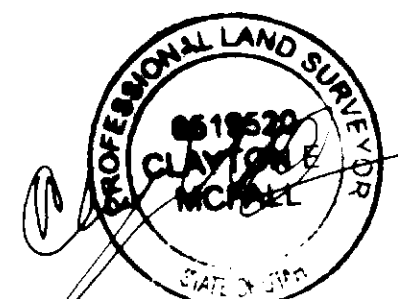
BEGINNING AT A POINT ON THE EASTERLY R.O.W. LINE OF PANORAMA CIRCLE, SAID POINT BEING S 00°03'41" W 2462.22 FEET AND EAST 902.52 FEET FROM THE NORTHWEST CORNER OF SECTION 33, T7N, R1E, SLB&M; THENCE AS FOLLOWS:

S 47°41'11" E	36.21'	ALONG SAID ROAD TO A TANGENT CURVE TO THE RIGHT; THENCE
SOUTHEASTERLY	65.54'	ALONG SAID ROAD AND CURVE (R=87.32', L=65.54', T=34.40', DELTA=43°00'28", CHB=N26°09'09"W, CH=64.02') TO A NON-TANGENT LINE SAID POINT BEING A FOUND REEVES REBAR AND CAP; THENCE
N 85°21'07" E	305.02'	TO A FOUND REEVES REBAR AND CAP; THENCE
N 24°38'35" W	330.10'	TO A SET G.E. REBAR AND CAP; THENCE
S 42°20'37" W	328.65'	TO THE POINT OF BEGINNING.

CONTAINS: 1.43 ACRES/ 62,360 SQ. FT.  
BASIS OF BEARING: S 89°53'22" W ALONG THE SECTION LINE

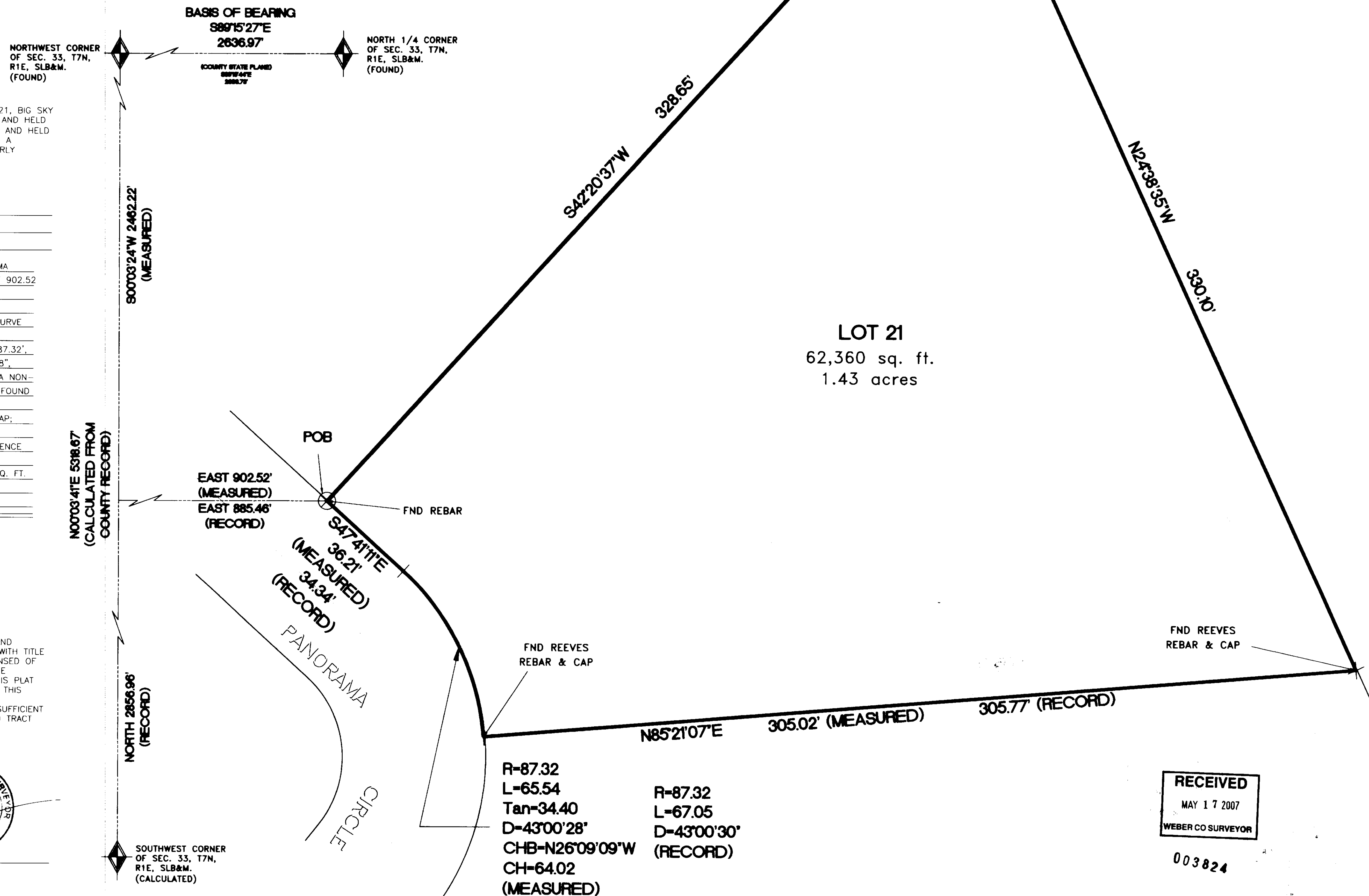
**SURVEYOR'S CERTIFICATE**

I, CLAYTON E. MCFALL, DO HEREBY CERTIFY THAT I AM A REGISTERED LAND SURVEYOR, AND THAT I HOLD CERTIFICATE NO.6519520 IN ACCORDANCE WITH TITLE 58, CHAPTER 22, PROFESSIONAL ENGINEERS AND LAND SURVEYORS LICENSED OF THE STATE OF UTAH ACT. I FURTHER CERTIFY THAT BY AUTHORITY OF THE OWNERS I HAVE MADE A SURVEY OF THE TRACT OF LAND SHOWN ON THIS PLAT AND DESCRIBED BELOW AND THAT THE REFERENCE MARKERS SHOWN ON THIS PLAT ARE LOCATED AS INDICATED AND ARE SUFFICIENT TO RETRACE OR RE-ESTABLISH THIS SURVEY, THAT THE INFORMATION SHOWN HEREIN IS SUFFICIENT TO ACCURATELY ESTABLISH THE LATERAL BOUNDARIES OF THE DESCRIBED TRACT OF REAL PROPERTY.



4-25-2007  
DATE

SIGNATURE  
SEAL



RECEIVED  
MAY 17 2007  
WEBER CO SURVEYOR

003824

SCALE: 1"=20'

REVISIONS	DATE	DESCRIPTION

DATE: APRIL 2007  
DESIGN: DRW/CEM  
DRAWN: DRW/CEM  
CHECKED:  

DWG: R:\Mistral\dwg\Lot21\_bigsky.dwg

BIG SKY ESTATES  
LOT 21  
RECORD OF SURVEY  
WEBER COUNTY, UTAH

