

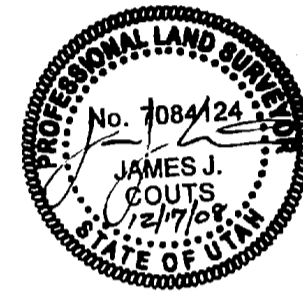
# LIBERTY IRRIGATION RECORD OF SURVEY

LOCATED IN SECTION 7, 8, 17, 18, 19  
OF T7N, R1E, SLB & M, U.S. SURVEY  
WEBER COUNTY, UTAH  
JANUARY 2008

## SURVEYOR'S CERTIFICATE

I, JAMES J. COUTS, DO HEREBY CERTIFY THAT I AM A LICENSED PROFESSIONAL LAND SURVEYOR IN THE STATE OF UTAH AND THAT I HOLD CERTIFICATE NO. 7084124 IN ACCORDANCE WITH TITLE 58, CHAPTER 22, OF THE PROFESSIONAL ENGINEERS AND LAND SURVEYORS ACT; I FURTHER CERTIFY THAT BY AUTHORITY OF THE OWNERS I HAVE COMPLETED A SURVEY OF THE PROPERTY DESCRIBED ON THIS RECORD OF SURVEY PLAT IN ACCORDANCE WITH SECTION 17-23-17 AND HAVE VERIFIED ALL MEASUREMENTS; THAT THE REFERENCE MONUMENTS SHOWN ON THIS PLAT ARE LOCATED AS INDICATED AND ARE SUFFICIENT TO RETRACE OR REESTABLISH THIS PLAT; AND THAT THE INFORMATION SHOWN HEREIN IS SUFFICIENT TO ACCURATELY ESTABLISH THE LATERAL BOUNDARIES OF THE HEREIN DESCRIBED TRACT OF REAL PROPERTY.

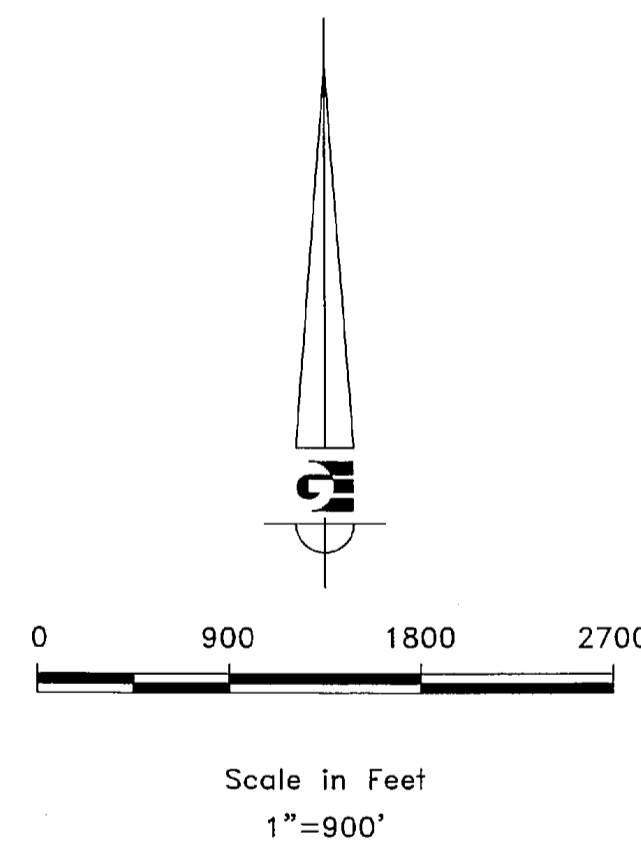
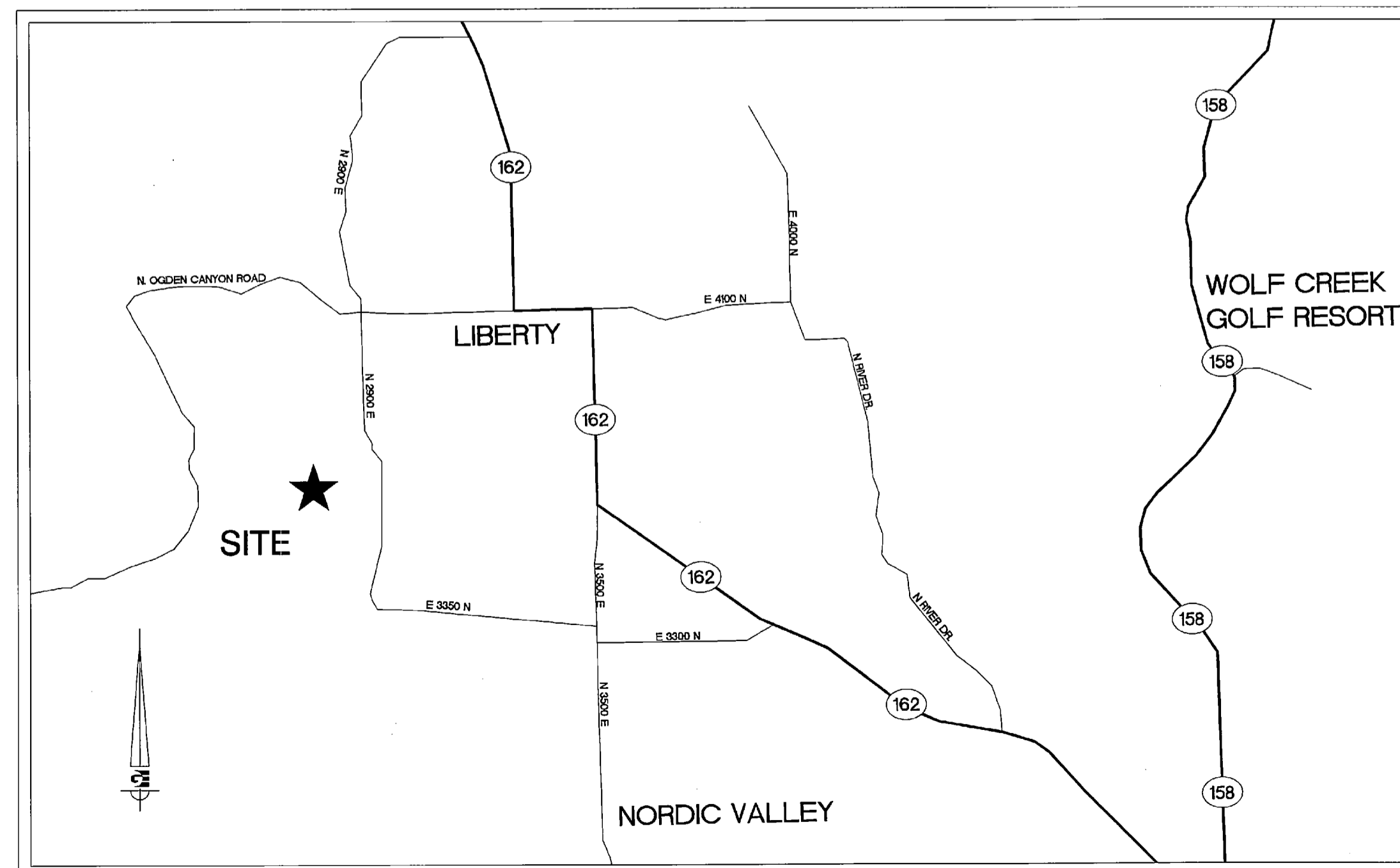
SIGNED THIS 17<sup>TH</sup> DAY OF DECEMBER, 2008



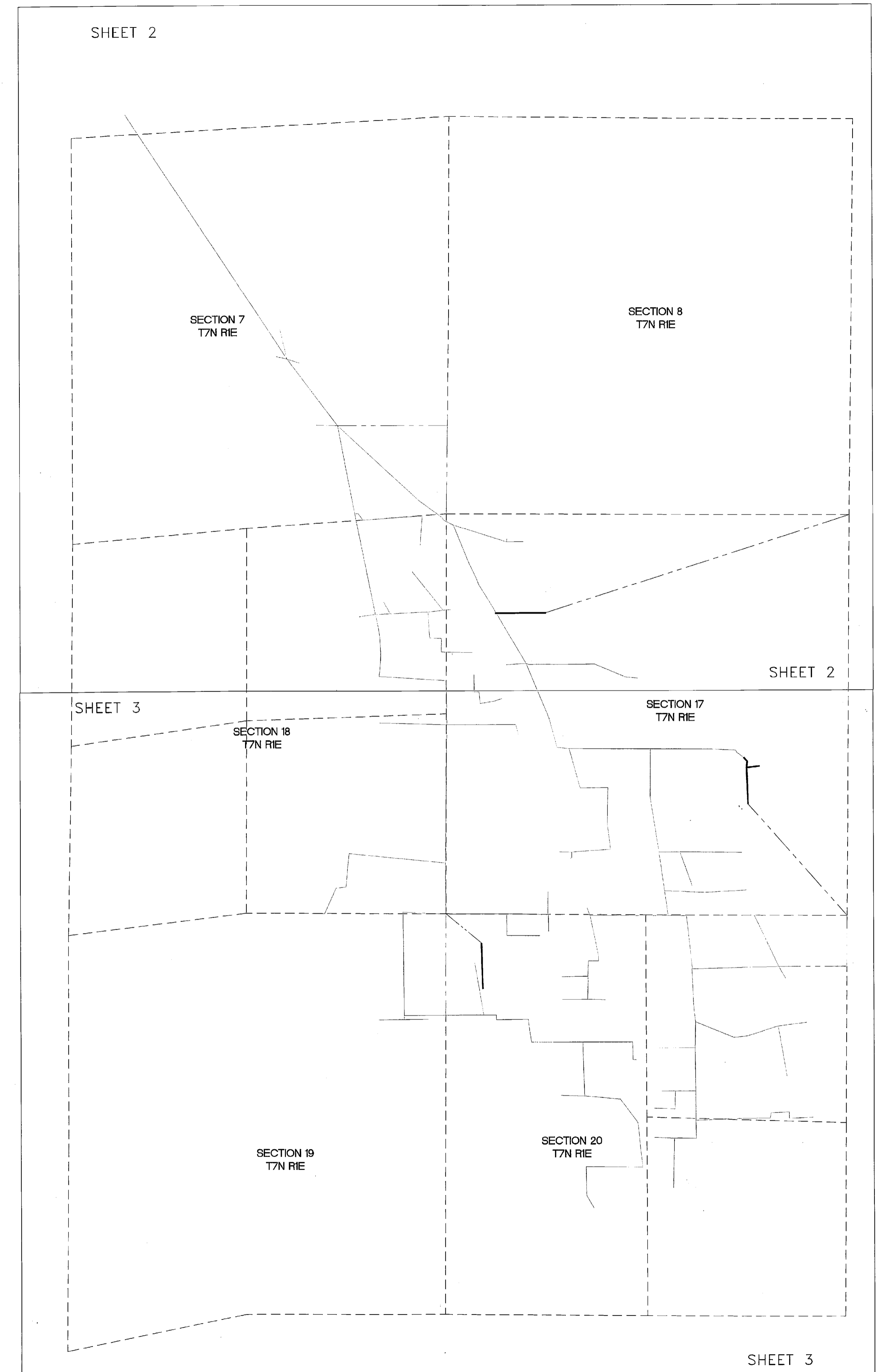
JAMES J. COUTS, PLS #7084124

### NARRATIVE:

- 1) THIS SURVEY WAS REQUESTED BY LIBERTY IRRIGATION PIPELINE FOR THE PURPOSE OF LOCATING THE EXISTING IRRIGATION PIPELINE
- 2) THE PIPELINE LOCATION AS SHOWN ON THIS RECORD OF SURVEY IS AN APPROXIMATE LOCATION OF THE EXISTING PIPELINE AS ESTIMATED BY A LIBERTY PIPELINE PRINCIPLE. NO ACTUAL PIPE OR APPURTENANT STRUCTURES WERE LOCATED.
- 3) THIS SURVEY WAS ONLY COMPLETED OVER THE AREA SHOWN WITHIN THE "CLOUDED" AREA. ALL OTHER MEASUREMENTS, LINES, ANGLES AND DATA ARE RECORD INFORMATION FROM A PREVIOUS SURVEY NOT COMPLETED OR VERIFIED BY THIS SURVEYOR AND ARE SHOWN FOR INFORMATIVE PURPOSES ONLY. BY RECORDING THIS SURVEY, THE SURVEYOR MAKES NO CERTIFICATION EXPLICIT OR IMPLIED TO THE ACCURACY OR PRECISION OF THE INFORMATION.



LEGEND	
—	EXISTING PIPELINE
- - -	EXISTING SECTION TIES
- - -	SECTION LINES
- - -	SECTION TIES
—	SHEET LINES
—	UPDATED PIPELINES



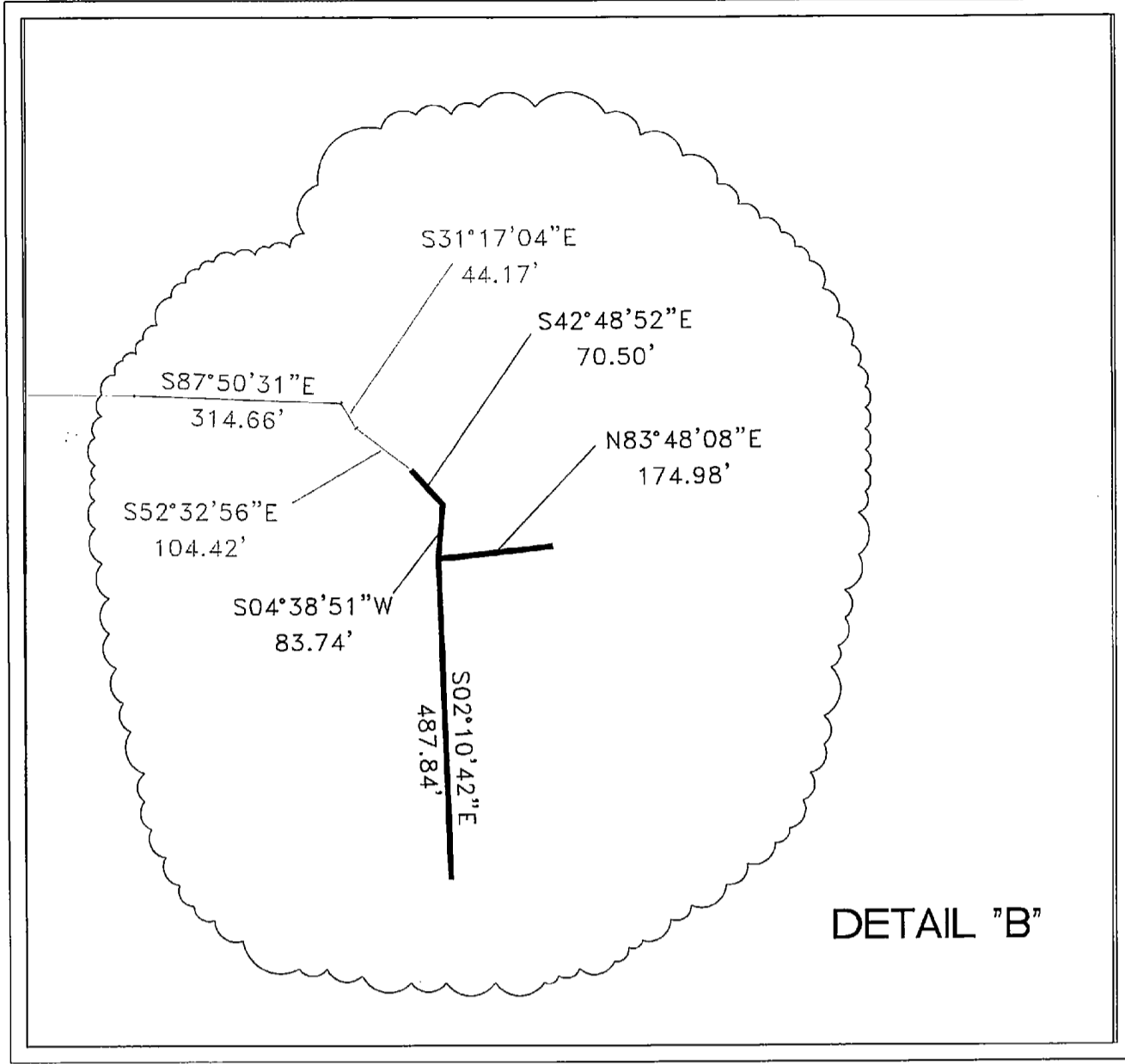
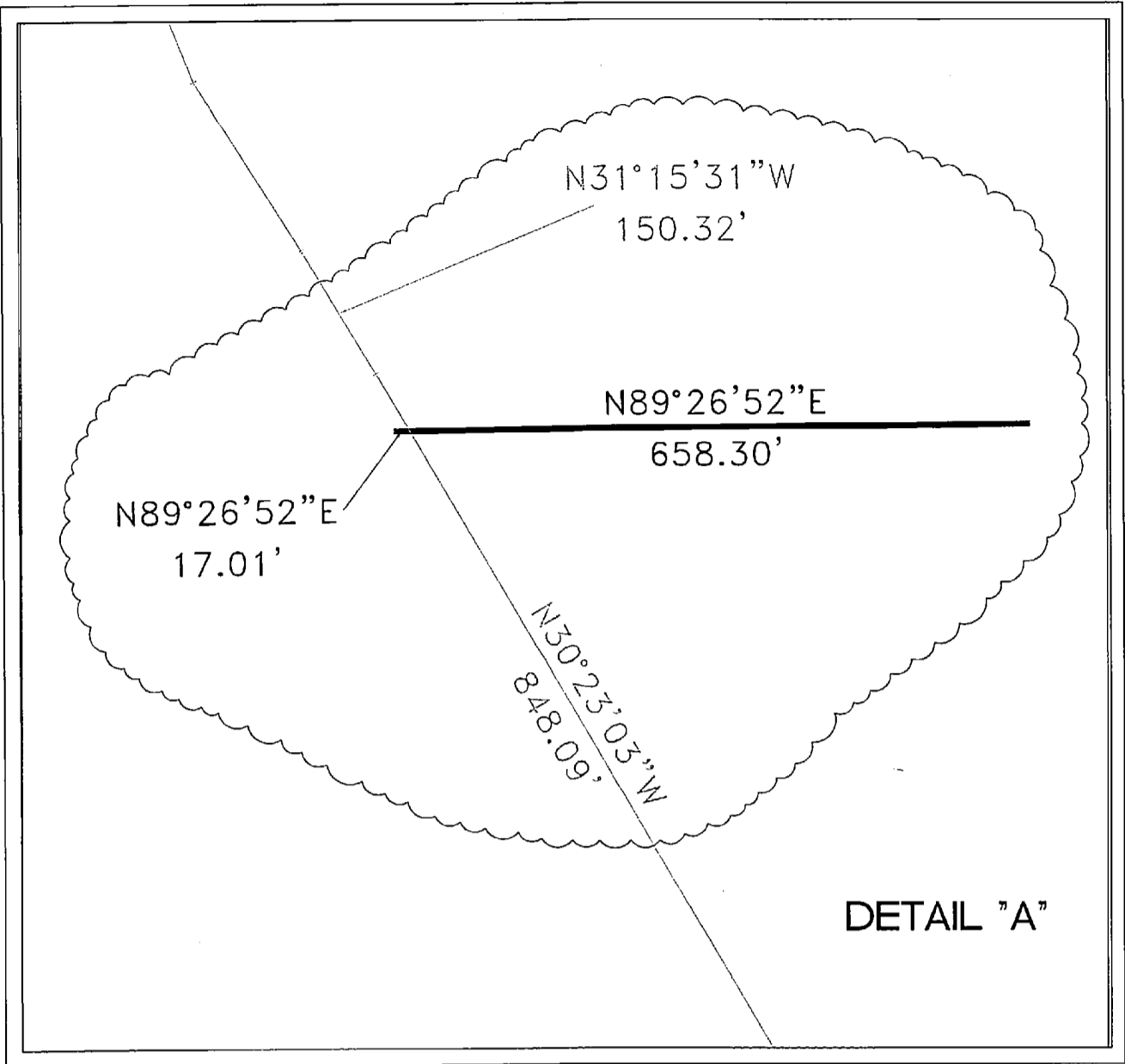
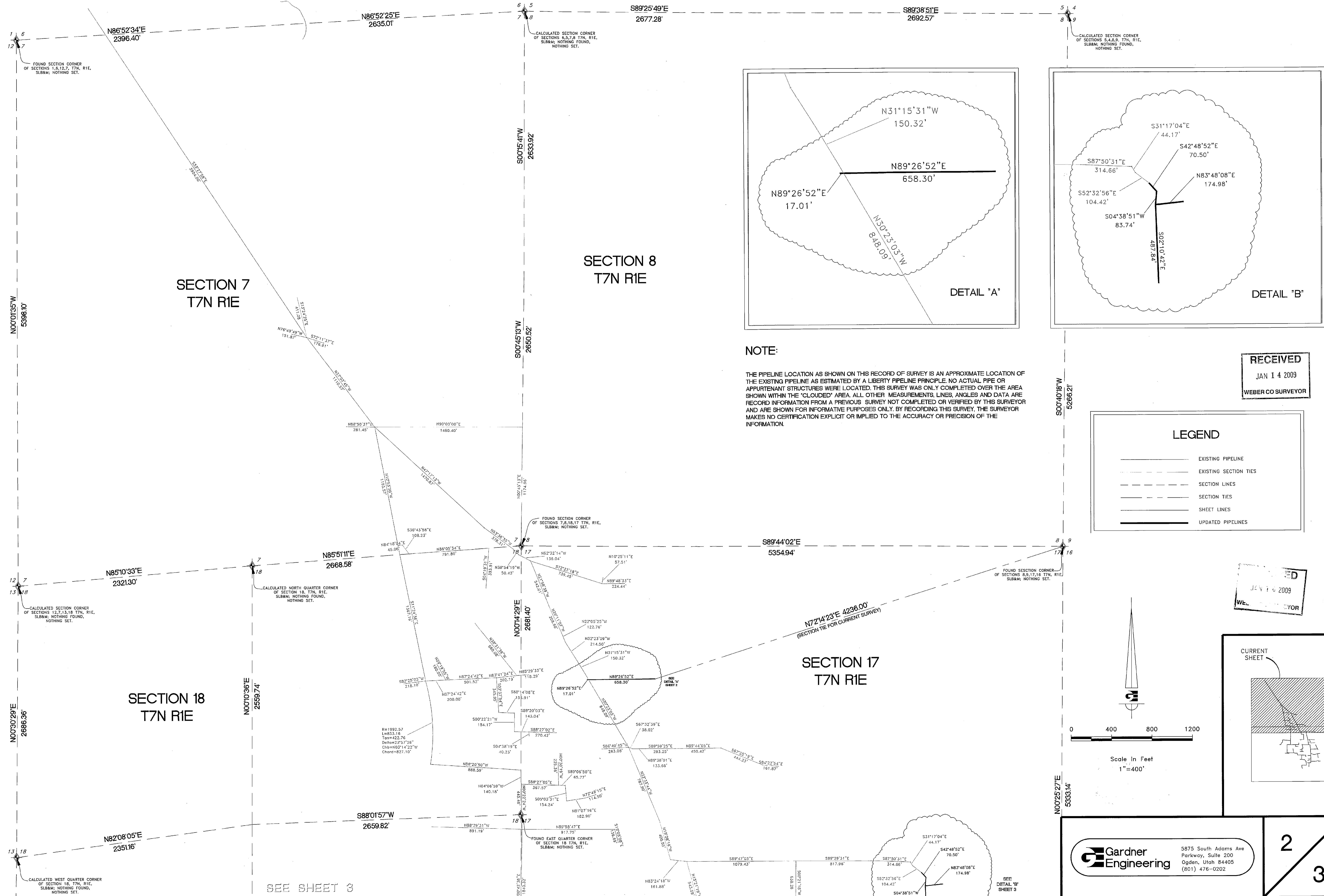
004217

RECEIVED  
JAN 14 2009  
WEBER CO SURVEYOR

DEVELOPER  
LIBERTY IRRIGATION COMPANY  
3896 N. 3500 E.  
LIBERTY, UTAH 84310

Gardner Engineering  
 5875 South Adams Ave  
 Parkway, Suite 200  
 Ogden, Utah 84405  
 (801) 476-0202

1  
3



**NOTE:**

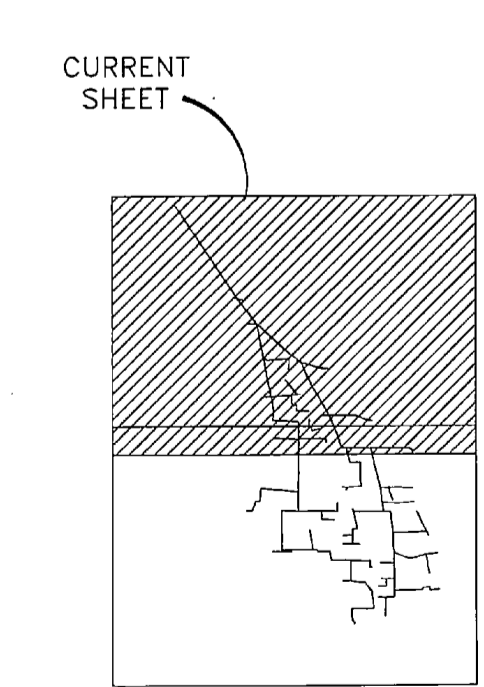
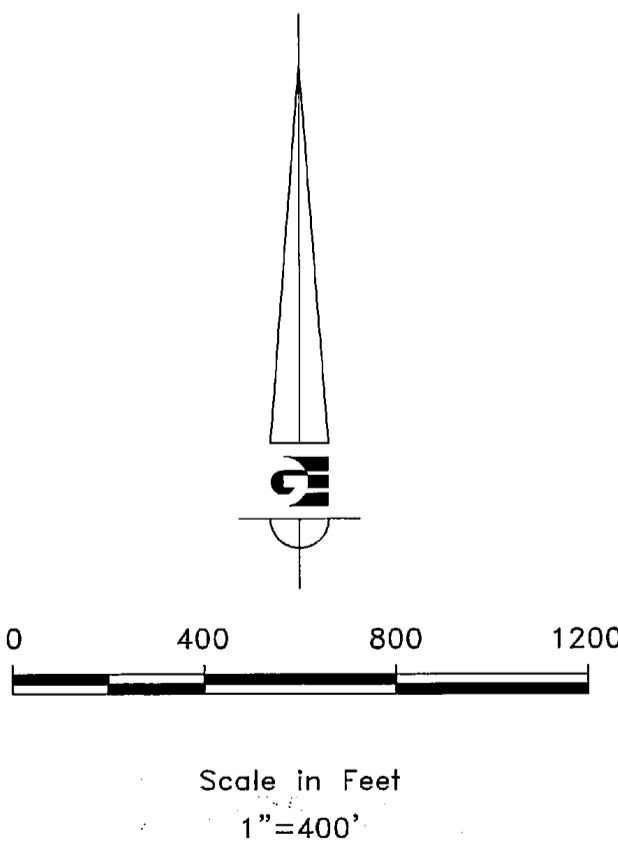
THE PIPELINE LOCATION AS SHOWN ON THIS RECORD OF SURVEY IS AN APPROXIMATE LOCATION OF THE EXISTING PIPELINE AS ESTIMATED BY A LIBERTY PIPELINE PRINCIPLE. NO ACTUAL PIPE OR APPURTENANT STRUCTURES WERE LOCATED. THIS SURVEY WAS ONLY COMPLETED OVER THE AREA SHOWN WITHIN THE 'CLOUDED' AREA. ALL OTHER MEASUREMENTS, LINES, ANGLES AND DATA ARE RECORD INFORMATION FROM A PREVIOUS SURVEY NOT COMPLETED OR VERIFIED BY THIS SURVEYOR AND ARE SHOWN FOR INFORMATIVE PURPOSES ONLY. BY RECORDING THIS SURVEY, THE SURVEYOR MAKES NO CERTIFICATION EXPLICIT OR IMPLIED TO THE ACCURACY OR PRECISION OF THE INFORMATION.

**RECEIVED**  
JAN 14 2009  
WEBER CO SURVEYOR

**LEGEND**

	EXISTING PIPELINE
	EXISTING SECTION TIES
	SECTION LINES
	SECTION TIES
	SHEET LINES
	UPDATED PIPELINES

**RECEIVED**  
JAN 14 2009  
WEBER CO SURVEYOR



**Gardner Engineering**  
5875 South Adams Ave  
Parkway, Suite 200  
Ogden, Utah 84405  
(801) 476-0202

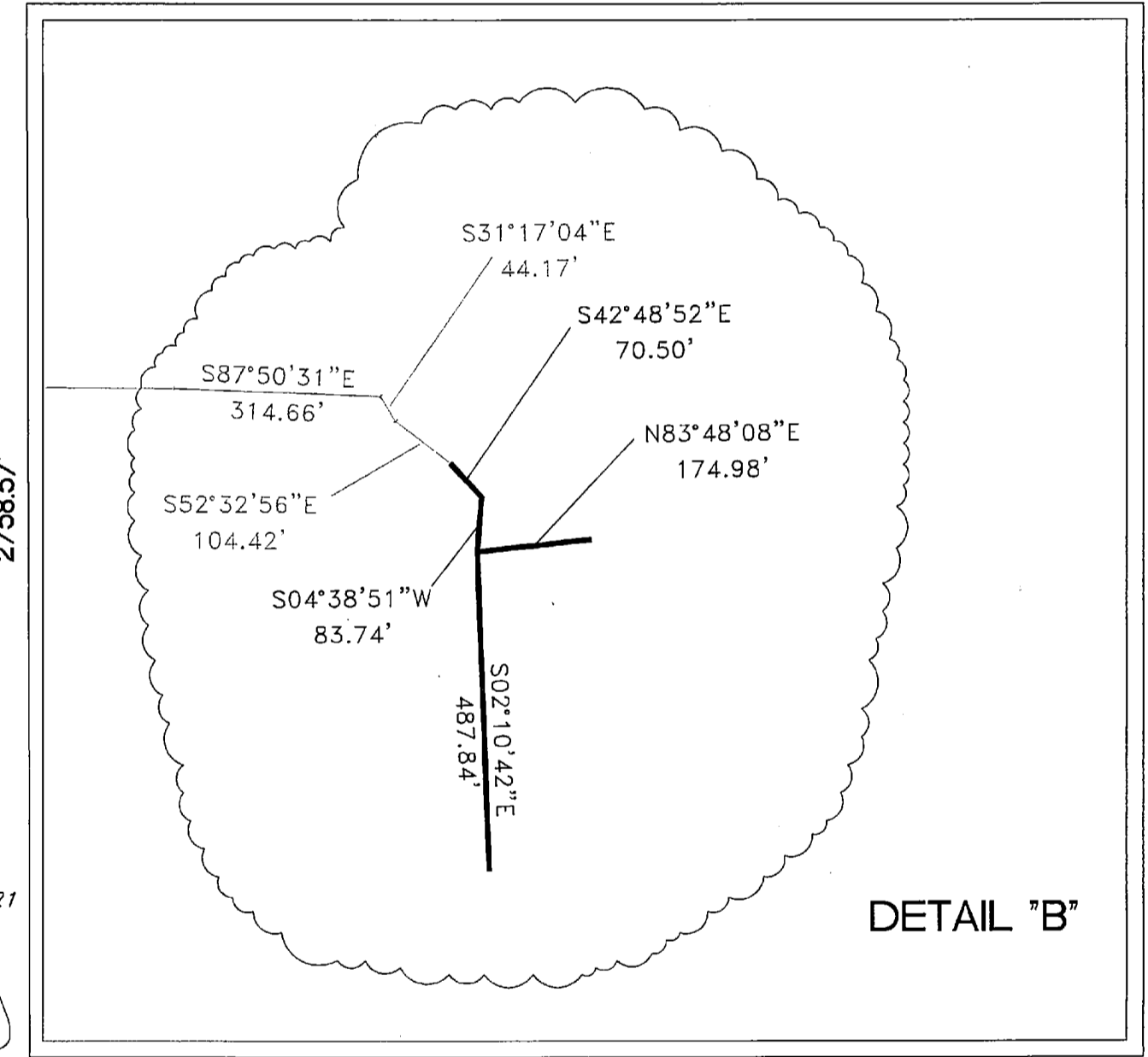
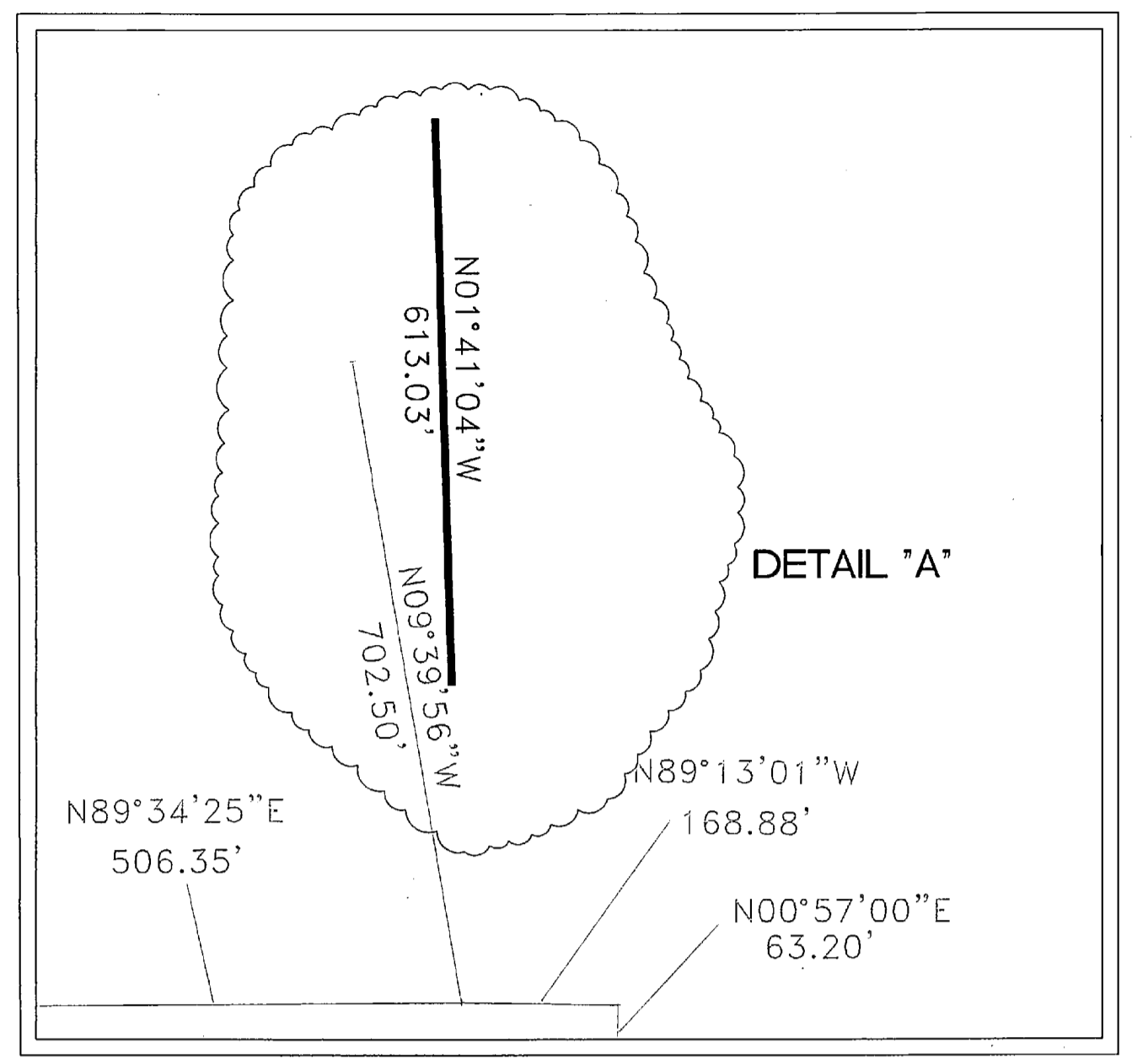
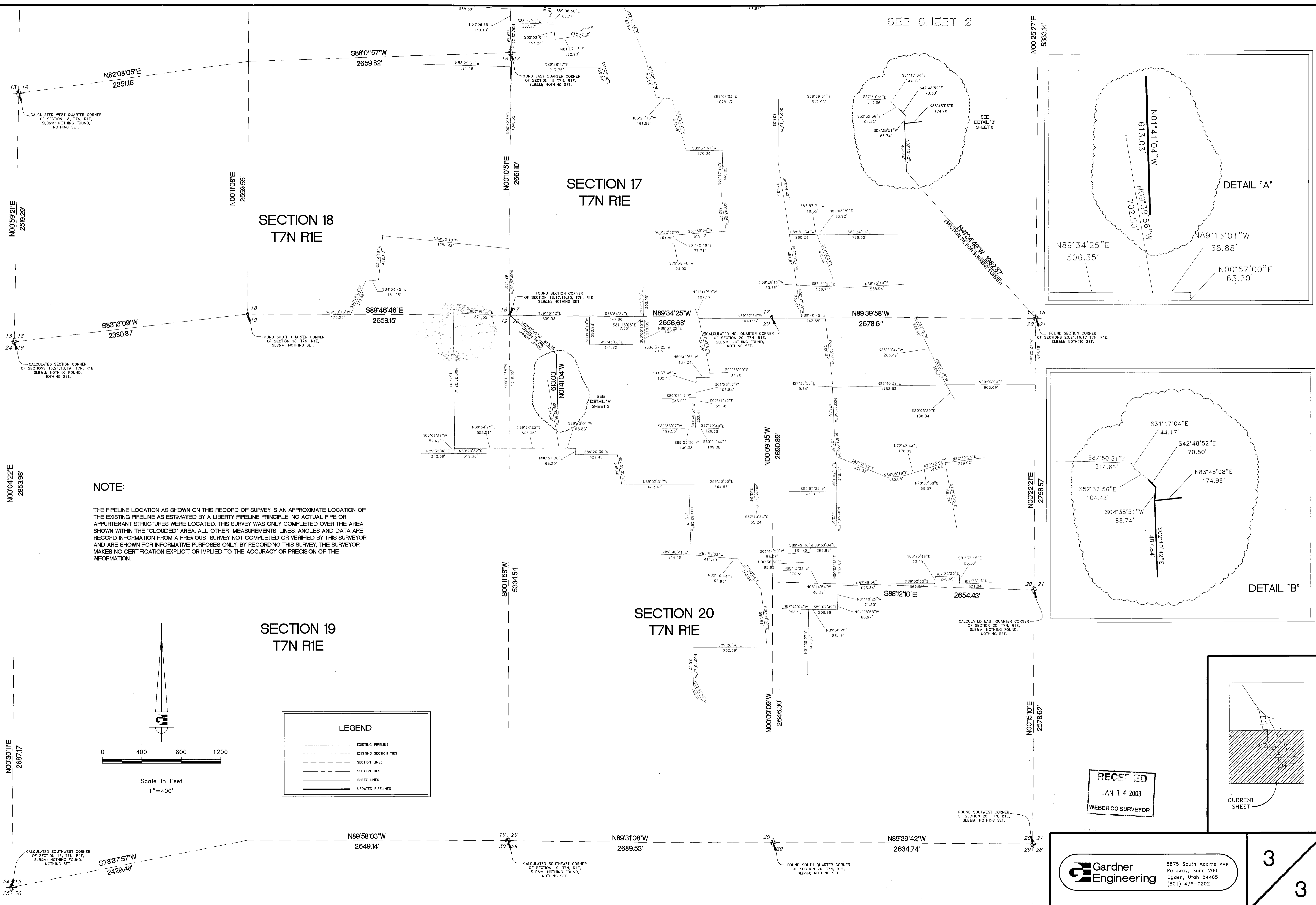
2  
3

SEE SHEET 3

SEE DETAIL "B" SHEET 3

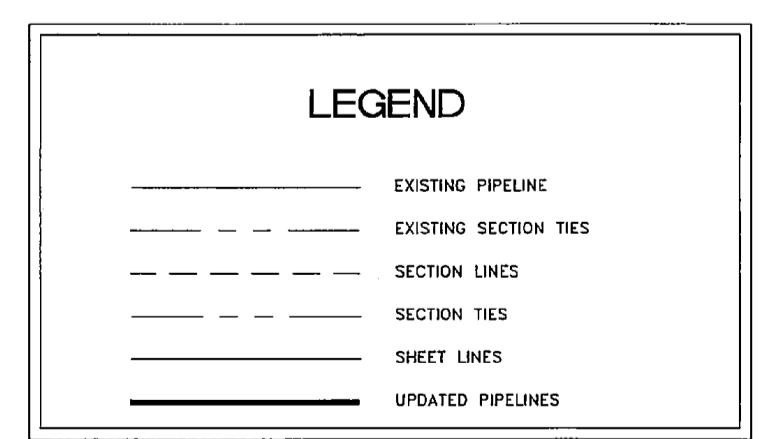
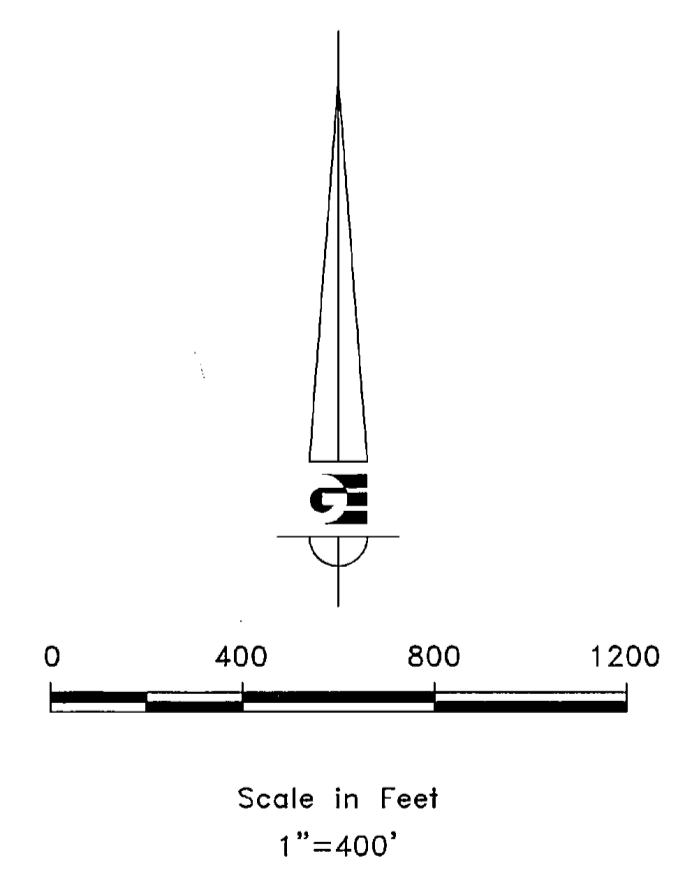
© Whitney, W. Record of Survey 11-22-2008, Sheet 2, 1/6/2009 8:58:27 PM

SEE SHEET 2

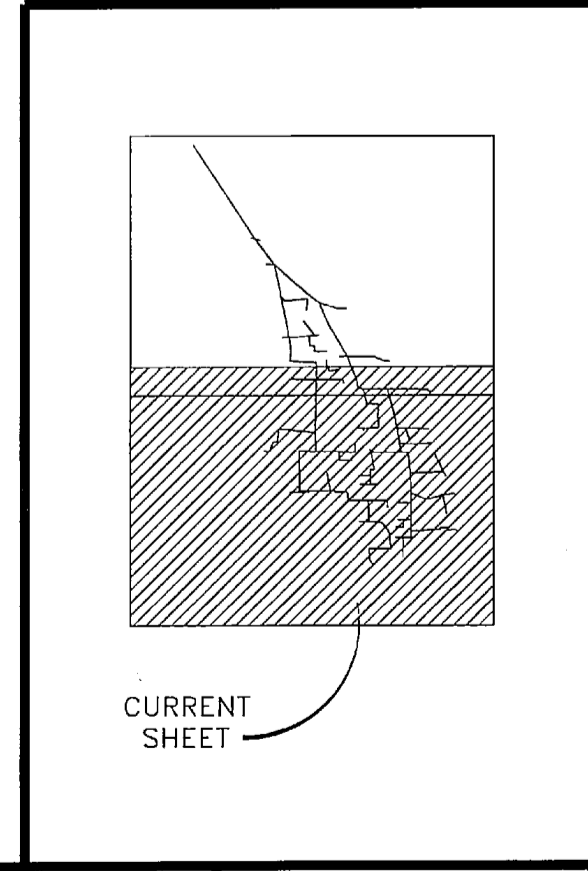


**NOTE:**

THE PIPELINE LOCATION AS SHOWN ON THIS RECORD OF SURVEY IS AN APPROXIMATE LOCATION OF THE EXISTING PIPELINE AS ESTIMATED BY A LIBERTY PIPELINE PRINCIPLE. NO ACTUAL PIPE OR APPURTENANT STRUCTURES WERE LOCATED. THIS SURVEY WAS ONLY COMPLETED OVER THE AREA SHOWN WITHIN THE 'CLOUDED' AREA. ALL OTHER MEASUREMENTS, LINES, ANGLES AND DATA ARE RECORD INFORMATION FROM A PREVIOUS SURVEY NOT COMPLETED OR VERIFIED BY THIS SURVEYOR AND ARE SHOWN FOR INFORMATIVE PURPOSES ONLY. BY RECORDING THIS SURVEY, THE SURVEYOR MAKES NO CERTIFICATION EXPLICIT OR IMPLIED TO THE ACCURACY OR PRECISION OF THE INFORMATION.



RECEIVED  
JAN 14 2009  
WEBER CO SURVEYOR



**Gardner Engineering**  
5875 South Adams Ave  
Ogden, Utah 84405  
(801) 476-0202

3  
3

© Liberty Surveyors & Engineers, Inc. 11-15-08-04a, Sheet 1, 1/6/2009 8:23:10 PM