

**NORTH OGDEN IRRIGATION COMPANY
NOTICE OF INTEREST OF CANAL PROPERTY EASEMENT**

PLEASE TAKE NOTICE that the North Ogden Irrigation Company, a Utah corporation (the "Company"), claims prescriptive easement rights to certain real property in Weber County, Utah, for ownership, use, operation and maintenance of a canal, roadway and related water delivery facilities. Said canal property has been in use for the delivery of water for far in excess of the 20-year prescriptive use period. Said canal has been continuously operated and maintained in its present location since the year 1875. The description of said canal is as follows:

SEE DESCRIPTIONS

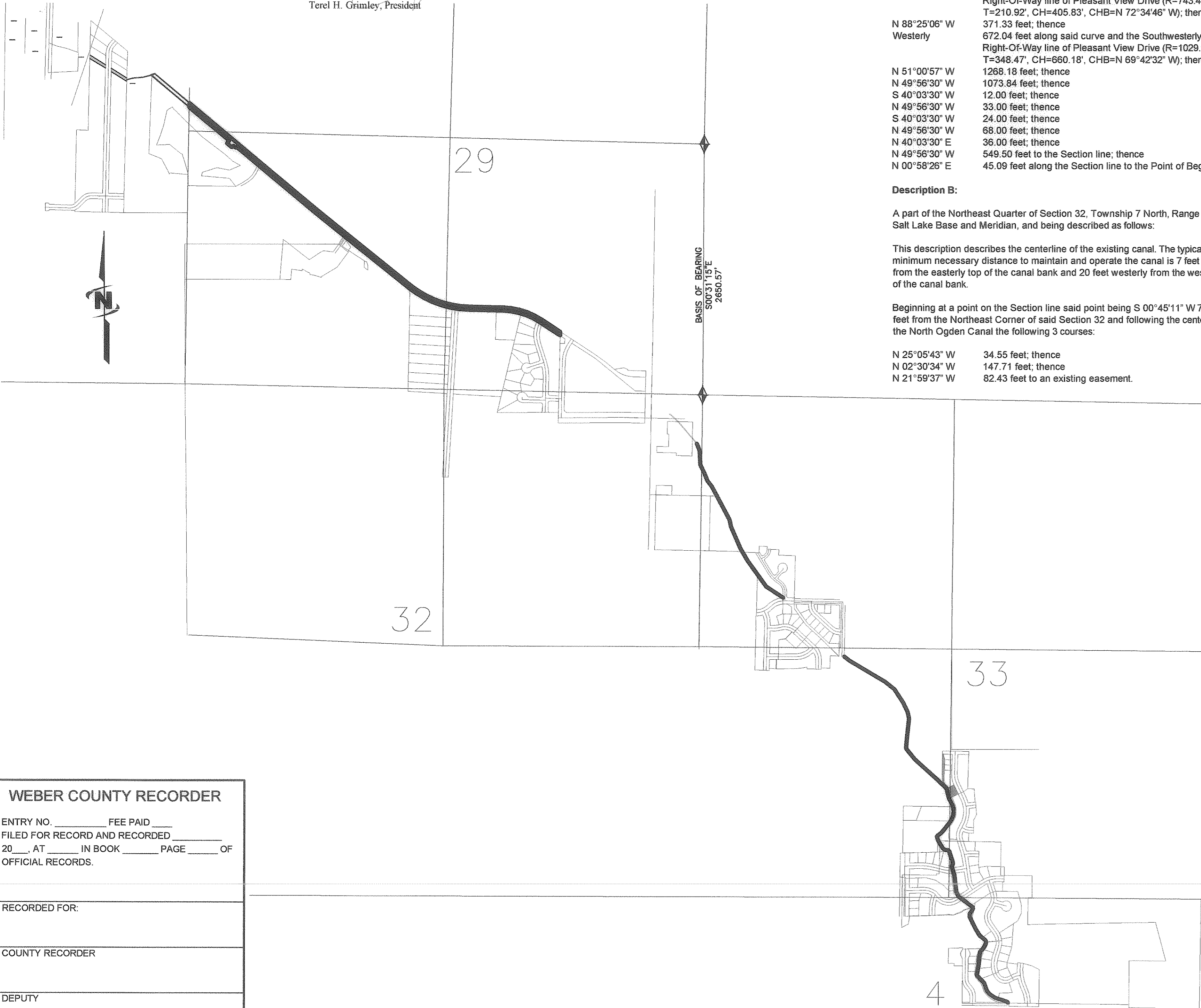
In certain areas the Company has acquired fee title to the North Ogden Canal property or acquired easements by deed or grant. Along the remainder of said canal alignment, the Company claims prescriptive easement rights that were acquired by continuous uninterrupted adverse use. The prescriptive easement for the North Ogden Canal and adjacent roadway encompasses the entire easement as described.

The Company claims through prescriptive use the exclusive right to the unobstructed use and occupation of the described easement. FENCES ARE NOT PERMITTED WITHIN THE NORTH OGDEN CANAL PROPERTY. Permanent or temporary structures (other than fences) that encroach within the prescriptive easement property may be permitted by written agreement with the Company where the same will not unreasonably interfere with the safe use, operation and maintenance of the North Ogden Canal.

Dated this 14th Day of June, 2012

NORTH OGDEN IRRIGATION COMPANY

By Terel H. Grimley
Terel H. Grimley, President



Description A:

A part of Section 32, Township 7 North, Range 1 West, Salt Lake Base and Meridian, as shown on State of Utah State Road Commission plans for project NS-561(1) and being described as follows:

Beginning at a point on the Section line and on the Southwesterly Right-Of-Way line of Pleasant View Drive said point being S 00°58'26" W 2372.42 feet from the Northwest Corner of said Section 29 thence as follows:

- S 49°56'30" E 1752.44 feet along the Southwesterly Right-Of-Way line of Pleasant View Drive; thence
- S 51°00'57" E 1267.85 feet along the Southwesterly Right-Of-Way line of Pleasant View Drive to a curve to the Left; thence
- Easterly 649.20 feet along said curve and the Southwesterly Right-Of-Way line of Pleasant View Drive (R=994.93', T=336.63', CH=637.74', CHB=S 69°42'32" E); thence
- S 88°25'06" E 371.32 feet along the Southerly Right-Of-Way line of Pleasant View Drive to a curve to the Left; thence
- Easterly 430.40 feet along said curve and the Southwesterly Right-Of-Way line of Pleasant View Drive (R=778.45', T=220.85', CH=424.93', CHB=S 72°34'46" E); thence
- S 56°44'30" E 234.13 feet along the Southwesterly Right-Of-Way line of Pleasant View Drive to the Westerly boundary line of Acres Subdivision; thence
- S 01°15'08" W 41.27 feet along the Westerly boundary line of Acres Subdivision; thence
- N 56°44'30" W 256.01 feet; thence
- Westerly 411.04 feet along said curve and the Southwesterly Right-Of-Way line of Pleasant View Drive (R=743.45', T=210.92', CH=405.83', CHB=N 72°34'46" W); thence
- N 88°25'06" W 371.33 feet; thence
- Easterly 672.04 feet along said curve and the Southwesterly Right-Of-Way line of Pleasant View Drive (R=1029.93', T=348.47', CH=660.18', CHB=N 69°42'32" W); thence
- N 51°00'57" W 1268.18 feet; thence
- N 49°56'30" W 1073.84 feet; thence
- S 40°03'30" W 12.00 feet; thence
- N 49°56'30" W 33.00 feet; thence
- S 40°03'30" W 24.00 feet; thence
- N 49°56'30" W 68.00 feet; thence
- N 40°03'30" W 36.00 feet; thence
- N 49°56'30" W 549.50 feet to the Section line; thence
- N 00°58'26" E 45.09 feet along the Section line to the Point of Beginning.

Description B:

A part of the Northeast Quarter of Section 32, Township 7 North, Range 1 West, Salt Lake Base and Meridian, and being described as follows:

This description describes the centerline of the existing canal. The typical minimum necessary distance to maintain and operate the canal is 7 feet easterly from the easterly top of the canal bank and 20 feet westerly from the westerly top of the canal bank.

Beginning at a point on the Section line said point being S 00°45'11" W 769.43 feet from the Northeast Corner of said Section 32 and following the center line of the North Ogden Canal the following 3 courses:

- N 25°05'43" W 34.55 feet; thence
- N 02°30'34" W 147.71 feet; thence
- N 21°59'37" W 82.43 feet to an existing easement.

Description C:

A part of the Northwest Quarter of Section 33, Township 7 North, Range 1 West, Salt Lake Base and Meridian, and being described as follows:

This description describes the centerline of the existing canal. The typical minimum necessary distance to maintain and operate the canal is 7 feet easterly from the easterly top of the canal bank and 20 feet westerly from the westerly top of the canal bank.

Beginning at a point on the Section line said point being S 00°45'11" W 769.43 feet from the Northwest Corner of said Section 33 and following the center line of the North Ogden Canal the following 14 courses:

- S 25°05'43" E 64.11 feet; thence
- S 22°25'42" E 83.70 feet; thence
- S 36°41'39" E 75.43 feet; thence
- S 28°26'38" E 398.34 feet; thence
- S 10°52'58" E 77.97 feet; thence
- S 24°08'33" E 251.43 feet; thence
- S 29°42'56" E 143.74 feet; thence
- S 35°48'48" E 338.16 feet; thence
- S 56°26'13" E 206.86 feet; thence
- S 52°35'54" E 9.71 feet to the North line of 2300 North Street

Description D:

A part of the South half of Section 33, Township 7 North, Range 1 West, Salt Lake Base and Meridian, and being described as follows:

This description describes the centerline of the existing canal. The minimum necessary distance to maintain and operate the canal is 7 feet easterly from the easterly top of the canal bank and 20 feet westerly from the westerly top of the canal bank.

Beginning at a point on the North line of the Southwest Quarter of said Section 33 said point being S 89°30'23" E 1413.24 feet from the West Quarter Corner of said Section 33 and following the center line of the North Ogden Canal the following 31 courses:

- S 52°52'58" E 69.28 feet; thence
- S 59°09'34" E 432.85 feet; thence
- S 51°24'56" E 127.40 feet; thence
- S 33°12'25" E 168.99 feet; thence
- S 26°10'46" E 107.53 feet; thence
- S 12°15'07" E 71.77 feet; thence
- S 05°44'02" W 229.80 feet; thence
- S 03°58'48" W 91.57 feet; thence
- S 39°11'42" E 141.17 feet; thence
- S 47°43'24" E 329.90 feet; thence
- S 46°36'06" E 103.94 feet; thence
- Southeasterly 51.34 feet along a curve to the Right (R=79.43', T=26.60, CH=60.45', CHB=S 28°42'08" E); thence
- S 10°11'07" E 41.35 feet; thence
- Southerly 80.73 feet along a curve to the Left (R=198.84', T=40.93, CH=80.18', CHB=S 21°49'00" E); thence
- Southerly 227.71 feet along a curve to the Right (R=182.32', T=131.40, CH=213.20', CHB=S 02°19'56" W); thence
- S 38°06'44" W 124.69 feet; thence
- Southerly 35.93 feet along a curve to the Right (R=158.46', T=18.04, CH=35.85', CHB=S 44°35'22" W); thence
- S 51°05'07" W 33.61 feet; thence
- Southerly 24.70 feet along a curve to the Left (R=19.23', T=14.39, CH=23.04', CHB=S 14°17'04" W); thence
- S 22°29'10" E 35.14 feet; thence
- S 30°14'58" E 86.28 feet; thence
- Southeasterly 30.15 feet along a curve to the Left (R=35.00', T=16.08, CH=29.22', CHB=S 54°55'34" E); thence
- S 79°36'11" E 36.25 feet; thence
- Southeasterly 16.09 feet along a curve to the Right (R=15.00', T=8.92, CH=15.33', CHB=S 48°52'22" E); thence
- S 18°08'34" E 131.57 feet; thence
- S 16°50'59" W 42.98 feet; thence
- S 16°34'52" E 89.83 feet; thence
- S 06°47'47" E 177.68 feet; thence
- S 23°41'10" E 52.49 feet; thence
- S 52°50'42" E 20.96 feet to the South line of said Section 33.

Description E:

A part of the Northeast Quarter of Section 4, Township 6 North, Range 1 West, Salt Lake Base and Meridian, and being described as follows:

This description describes the centerline of the existing canal. The typical minimum necessary distance to maintain and operate the canal is 7 feet easterly from the easterly top of the canal bank and 20 feet westerly from the westerly top of the canal bank.

Beginning at a point on the Section line said point being N 89°42'01" W 2535.94 feet from the Northeast Corner of said Section 4 and following the center line of the North Ogden Canal the following 20 courses:

- S 52°50'42" E 168.00 feet; thence
- Southerly 22.66 feet along a curve to the Right (R=15.00', T=14.12, CH=20.56', CHB=S 09°34'16" E); thence
- S 33°42'09" W 59.37 feet; thence
- S 10°21'15" W 34.68 feet; thence
- S 26°18'47" E 137.39 feet; thence
- S 31°42'56" E 86.03 feet; thence
- S 52°22'38" E 65.91 feet; thence
- Southerly 46.64 feet along a curve to the Right (R=35.00', T=27.52, CH=43.27', CHB=S 14°11'57" E); thence
- S 23°58'45" E 43.95 feet; thence
- S 40°38'50" W 60.75 feet; thence
- S 09°59'15" W 66.74 feet; thence
- S 02°20'50" W 64.87 feet; thence
- S 10°19'57" W 120.78 feet; thence
- S 43°39'28" E 108.28 feet; thence
- S 19°58'16" E 91.26 feet; thence
- S 39°13'43" E 40.78 feet; thence
- S 55°21'25" E 70.36 feet; thence
- S 71°38'15" E 130.42 feet; thence
- S 60°36'47" E 13.97 feet; thence
- S 09°07'23" E 6.53 feet to the North line of 1700 North Street.

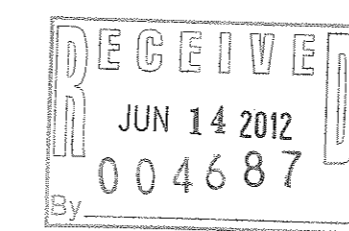
Narrative:

Basis of bearing is based on the Weber County bearing sheets, section corners found for this survey are West Quarter, and the Southwest Corner of Section 24, Township 7 North, Range 2 West and the South Quarter, and the Northeast Corner of Section 30, Township 7 North, Range 1 West. This survey was requested by the North Ogden Canal Company to locate and map their canal, all other parcels are shown for reference only.

SURVEYOR'S CERTIFICATE

I, David D. Strong, do hereby certify that I am a Professional Land Surveyor and that I hold License No. 5331568 in accordance with Title 58, Chapter 22 of the Professional Engineers and Land Surveyors Licensing Act, have completed a survey of the property shown and described hereon and in accordance with Section 17-23-17. No survey was performed on adjoining parcels they are shown for reference only.

David D. Strong
DAVID D. STRONG, PLS
Date 6/14/2012



WEBER COUNTY RECORDER

ENTRY NO. _____ FEE PAID _____
FILED FOR RECORD AND RECORDED _____
20____ AT _____ IN BOOK _____ PAGE _____ OF
OFFICIAL RECORDS.

RECORDED FOR: _____

COUNTY RECORDER _____

DEPUTY _____

JUB
Engineers • Surveyors • Planners

J-U-B ENGINEERS, Inc.
466 North 900 West
Kaysville, Utah 84037

Phone: 801.547.0393
Fax: 801.547.0397
www.jub.com

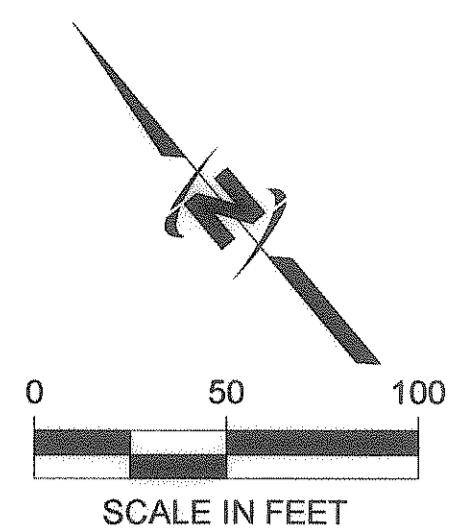
THIS DOCUMENT AND THE FIGURES HEREON ARE THE PROPERTY OF JUB ENGINEERS, INC. AND IS NOT TO BE USED, IN WHOLE OR PART, FOR ANY OTHER PROJECT WITHOUT THE EXPRESS WRITTEN AUTHORIZATION OF JUB ENGINEERS, INC.

NO.	REVISION	DATE	BY	DATE

**NORTH OGDEN CANAL
RIGHT-OF-WAY PLAT**

NORTH OGDEN IRRIGATION COMPANY

CAD FILE: NORTH OGDEN CANAL PHASE 2A.DWG
PROJ. # PMPROJECT #5607060
DRAWN BY: DDS/JDM
DESIGN BY: _____
CHECKED BY: DDS
SCALE OF SHEET: _____
HOR SCALE: AS NOTED
VER SCALE: AS NOTED
LAST UPDATED: 6/8/2012
SHEET
0



SCALE IN FEET
 POB "A"
 N00° 58' 26"E
 45.09

State Road Easement
 for North Ogden Canal
 part of Description A

1752.44
 S49° 56' 30"E

N49° 56' 30"W
 549.50

N49° 56' 30"W
 1073.84

N40° 03' 30"E
 36.00

N49° 56' 30"W
 68.00

S40° 03' 30"W
 12.00

N49° 56' 30"W
 33.00

S40° 03' 30"W
 24.00

PHEASANT MEADOW

White Barn Drive

SHEET 1 (BOTTOM)

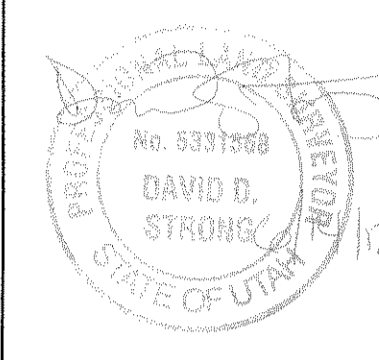
MATCHLINE



Engineers • Surveyors • Planners

J-U-B ENGINEERS, Inc.
 466 North 900 West
 Kaysville, Utah 84037

Phone: 801.547.0393
 Fax: 801.547.0397
 www.jub.com



THIS DOCUMENT, AND THE IDEAS AND DESIGNS INCORPORATED THEREIN, ARE THE PROPERTY OF JUB ENGINEERS, INC. AND ARE NOT TO BE REPRODUCED, COPIED, OR TRANSMITTED IN ANY FORM OR BY ANY MEANS, ELECTRONIC OR MECHANICAL, INCLUDING PHOTOCOPYING, RECORDING, OR BY ANY INFORMATION STORAGE AND RETRIEVAL SYSTEM, WITHOUT THE EXPRESS WRITTEN AUTHORIZATION OF JUB ENGINEERS, INC.

NO.	DESCRIPTION	BY	DATE

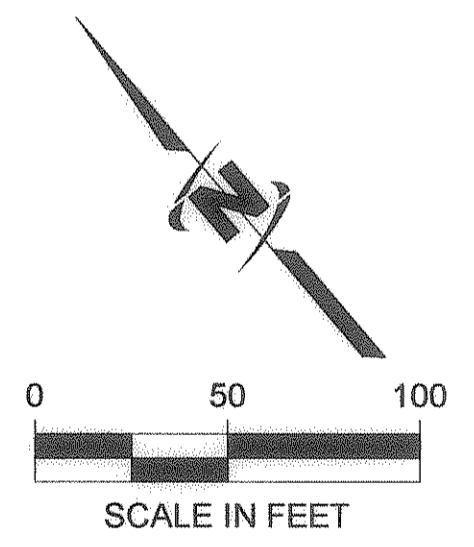
NORTH OGDEN CANAL
 NORTH OGDEN IRRIGATION COMPANY

PHASE 2
 RIGHT-OF-WAY PLAT

CAD FILE: NORTH OGDEN CANAL PHASE 2
 PROJ. #: 5507060
 DRAWN BY: DDS/JDM
 DESIGN BY:
 CHECKED BY: DDS
 SCALE OF SHEET
 HOR SCALE: 1"=50'
 VER SCALE: NONE
 LAST UPDATED: 6/8/2012

SHEET

1



SHEET 1 (TOP)

State Road Easement
 for North Ogden Canal
 part of Description A

1267.85
 S51° 00' 57"E

N51° 00' 57"W
 1268.18

Hillsborough Drive

WHITE BARN
 COUNTRY CLUB
 PRUD

SHEET 2 (TOP)

MATCHLINE



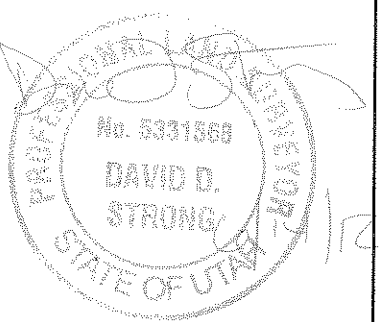
MATCHLINE



Engineers • Surveyors • Planners

J-U-B ENGINEERS, Inc.
466 North 900 West
Kaysville, Utah 84037

Phone: 801.547.0393
Fax: 801.547.0397
www.jub.com



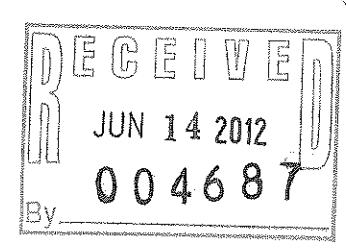
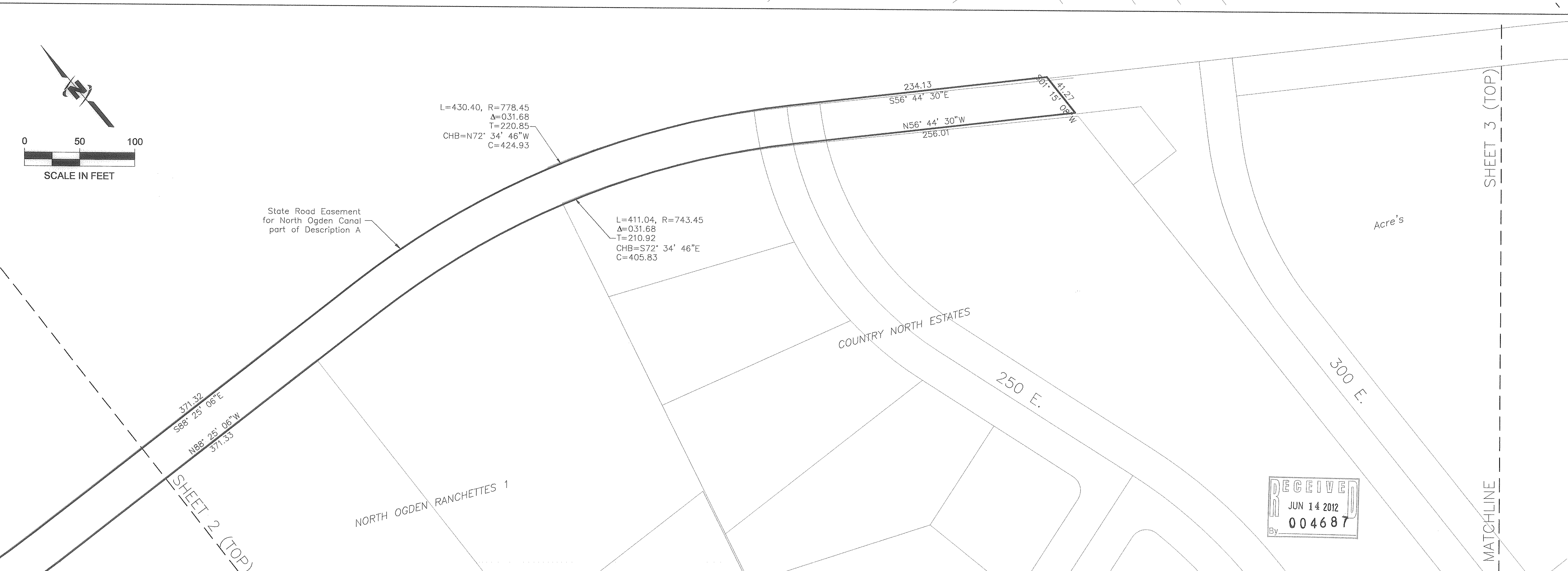
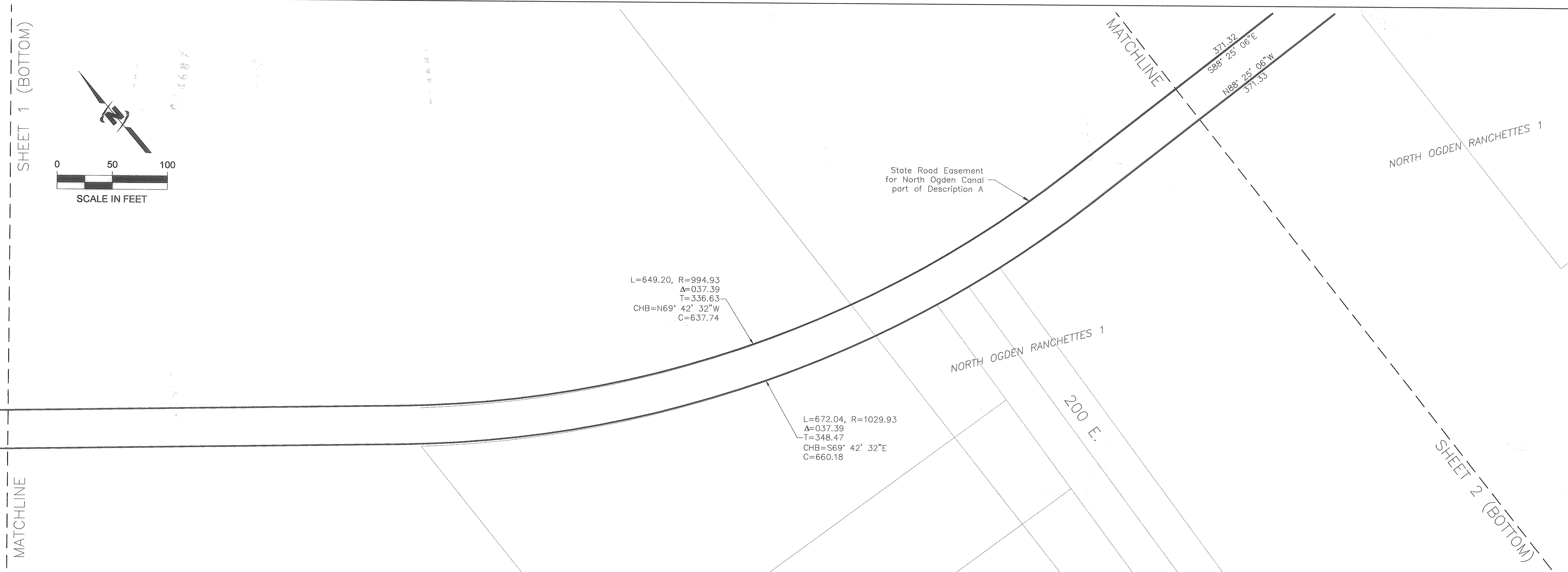
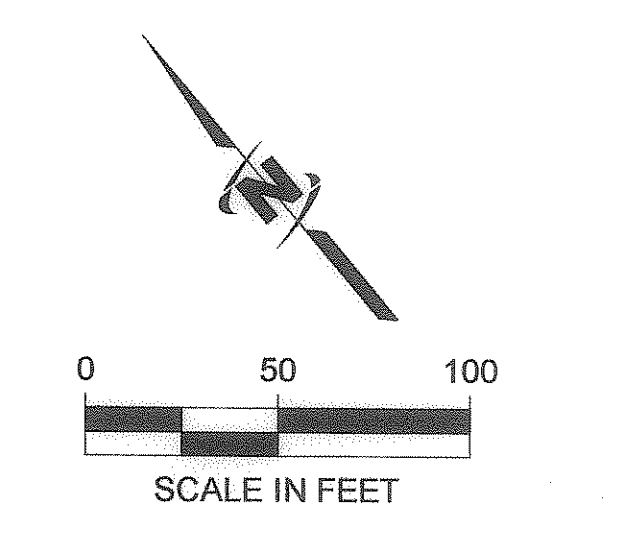
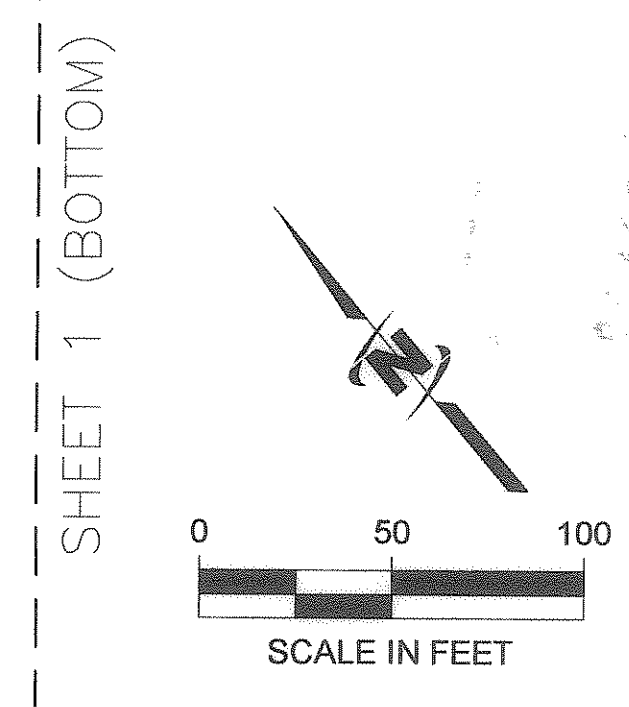
REUSE OF DRAWINGS
THIS DOCUMENT, AND THE IDEAS AND DESIGNS INCORPORATED THEREIN, ARE THE PROPERTY OF JUB ENGINEERS, INC. AND IS NOT TO BE REPRODUCED, COPIED, OR TRANSMITTED IN ANY FORM OR BY ANY MEANS, WITHOUT THE WRITTEN AUTHORIZATION OF JUB ENGINEERS, INC.

NO.	REVISION	DESCRIPTION	BY	DATE

**NORTH OGDEN CANAL
NORTH OGDEN IRRIGATION COMPANY**

**PHASE 2
RIGHT-OF-WAY PLAT**

CAD FILE: NORTH OGDEN CANAL PHASE 2A
 PROJ. #: 5507060
 DRAWN BY: DDS/JDM
 DESIGN BY:
 CHECKED BY: DDS
 SCALE OF SHEET
 HOR SCALE: 1"=50'
 VER SCALE: NONE
 LAST UPDATED: 6/8/2012

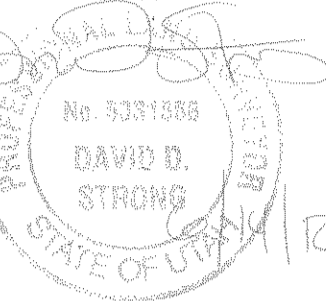




Engineers • Surveyors • Planners

J-U-B ENGINEERS, Inc.
466 North 900 West
Kaysville, Utah 84037

Phone: 801.547.0393
Fax: 801.547.0397
www.jub.com



REUSE OF DRAWINGS
THIS DOCUMENT AND THE IDEAS AND DESIGNS INCORPORATED HEREIN ARE THE PROPERTY OF JUB ENGINEERS, INC. AND IS NOT TO BE USED IN WHOLE OR PART, FOR ANY OTHER PROJECT WITHOUT THE EXPRESS WRITTEN AUTHORIZATION OF JUB ENGINEERS, INC.

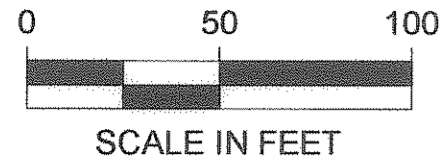
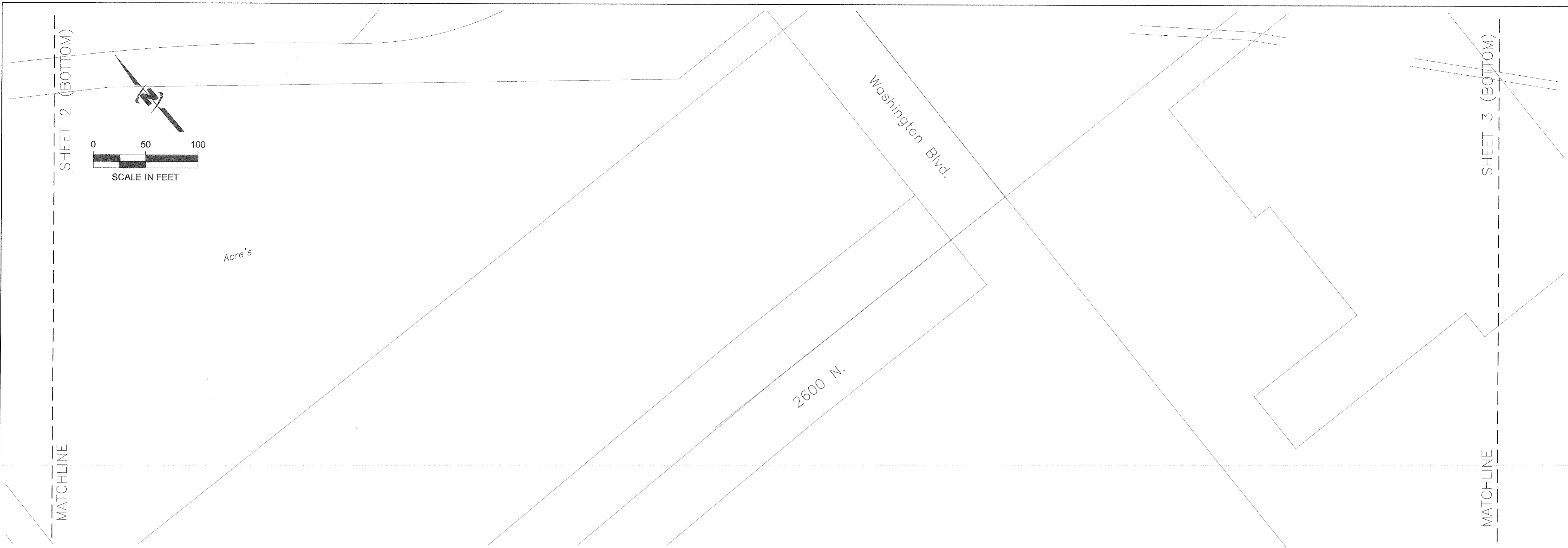
NO.	REVISION	DESCRIPTION	BY	DATE

**NORTH OGDEN CANAL
NORTH OGDEN IRRIGATION COMPANY**

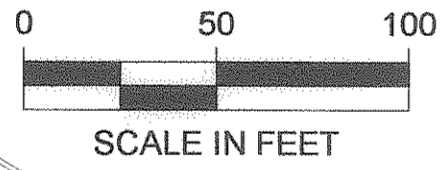
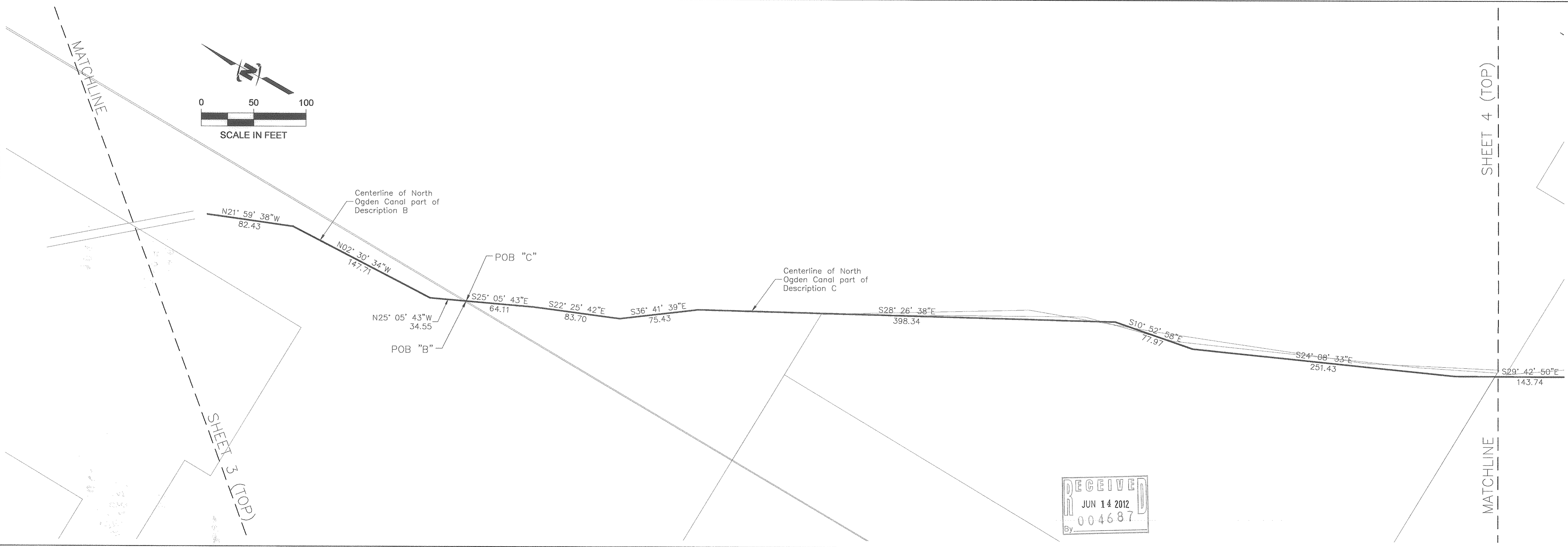
**PHASE 2
RIGHT-OF-WAY PLAT**

CAD FILE: NORTH OGDEN CANAL PHASE 2A
PROJ.#: PMP/PROJECT #5507060
DRAWN BY: DDS/JDM
DESIGN BY:
CHECKED BY: DDS
SCALE OF SHEET
HOR SCALE: AS NOTED
VER SCALE: AS NOTED
LAST UPDATED: 6/8/2012

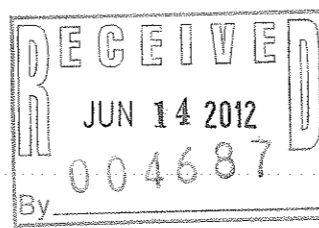
SHEET
3



Acre's



SHEET 3 (TOP)

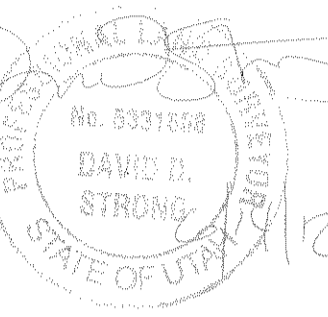




Engineers • Surveyors • Planners

J-U-B ENGINEERS, Inc.
466 North 900 West
Kaysville, Utah 84037

Phone: 801.547.0393
Fax: 801.547.0397
www.jub.com



REUSE OF DRAWINGS
THIS DOCUMENT AND THE IDEAS AND DESIGNS INCORPORATED
HEREIN ARE THE PROPERTY OF JUB ENGINEERS, INC.
WHOLE OR IN PART, FOR ANY OTHER PROJECT WITHOUT THE EXPRESS
WRITTEN AUTHORIZATION OF JUB ENGINEERS, INC.

NO.	DESCRIPTION	BY	DATE

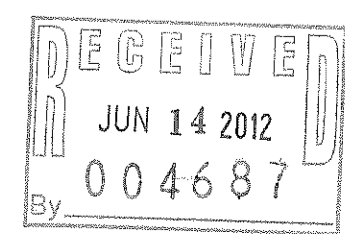
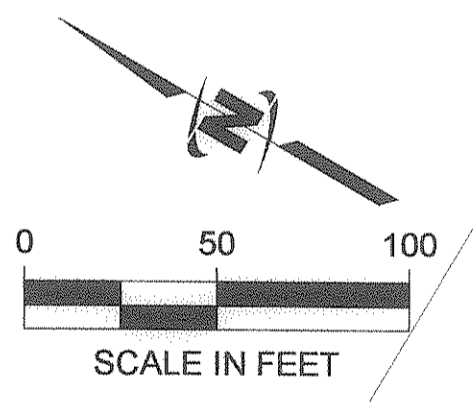
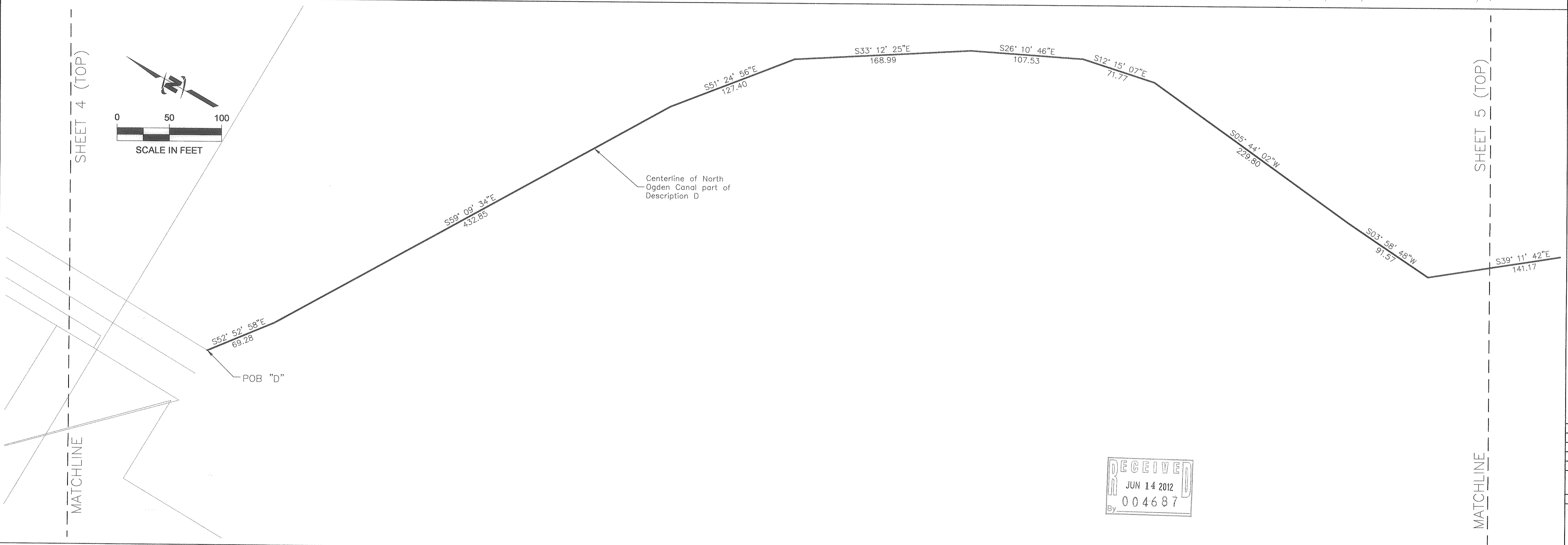
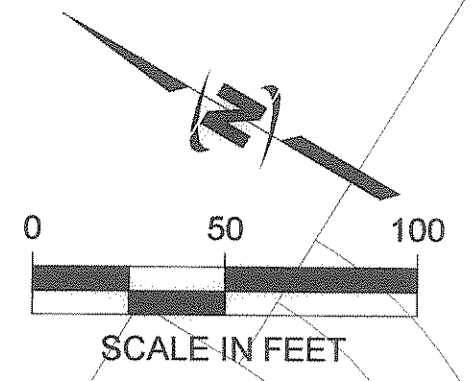
**NORTH OGDEN CANAL
NORTH OGDEN IRRIGATION COMPANY**

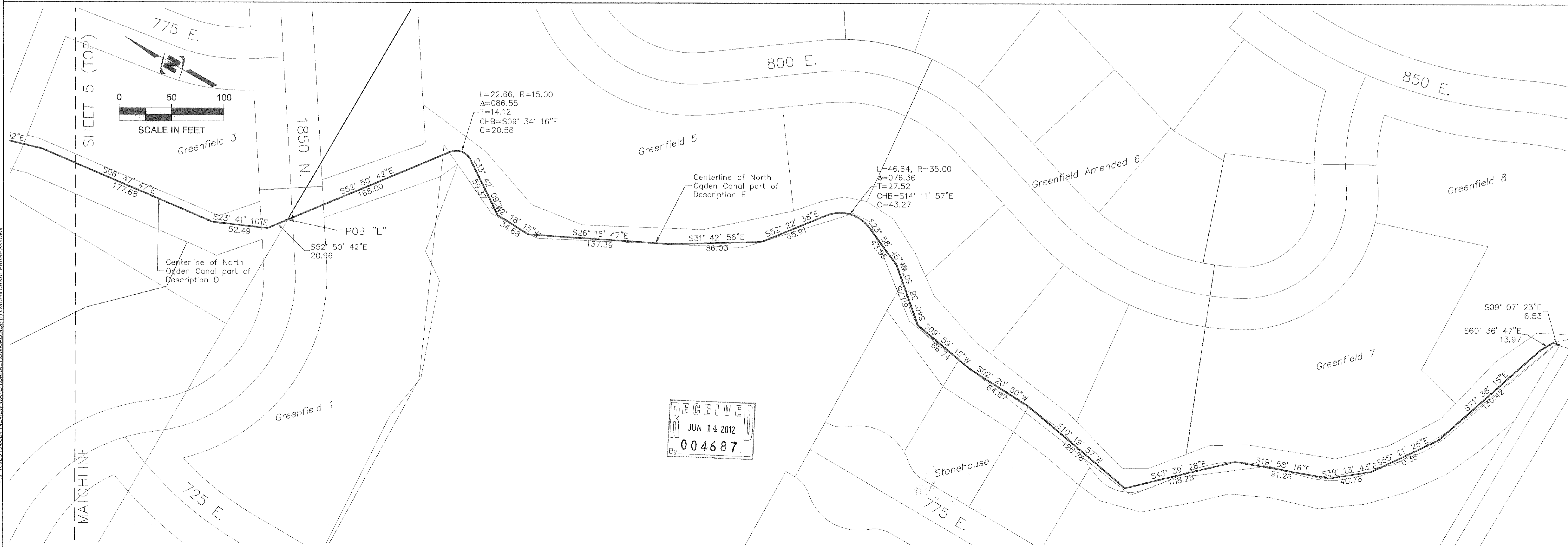
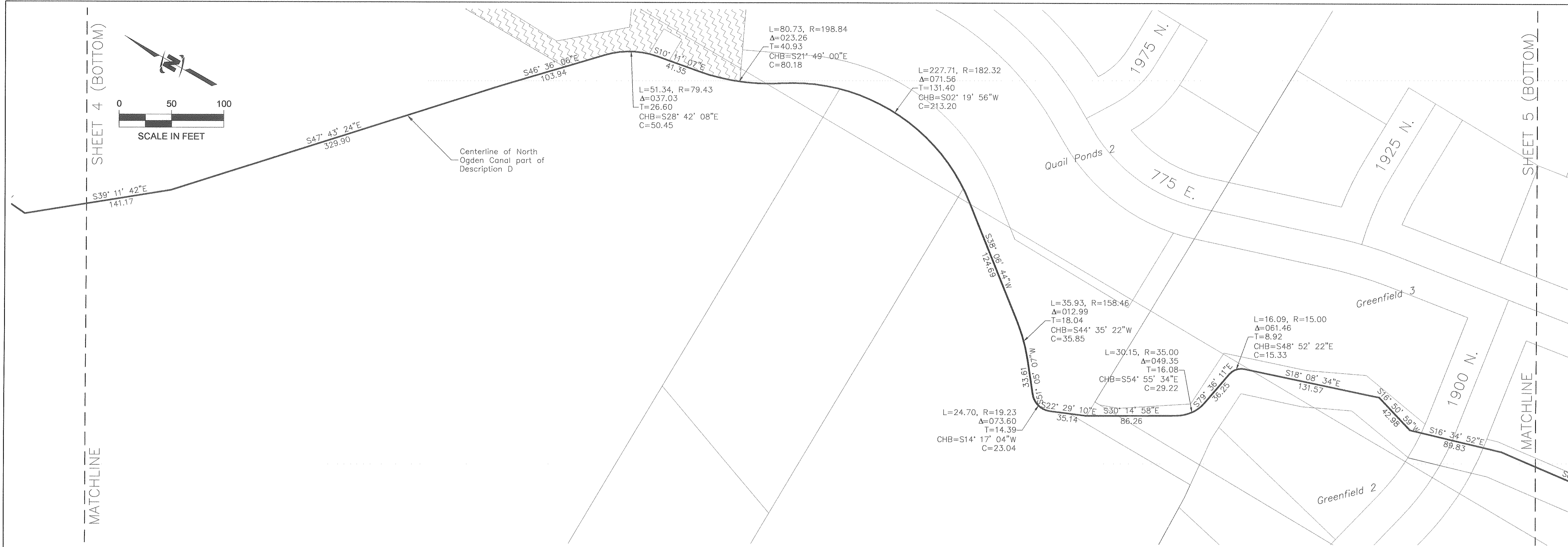
**PHASE 2
RIGHT-OF-WAY PLAT**


CAD FILE: NORTH OGDEN CANAL PHASE 2A
PROJ. #: PMPROJECT #5507060
DRAWN BY: DDS/JDM
DESIGN BY:
CHECKED BY: DDS
SCALE OF SHEET
HOR SCALE: AS NOTED
VER SCALE: AS NOTED
LAST UPDATED: 6/8/2012

SHEET

4



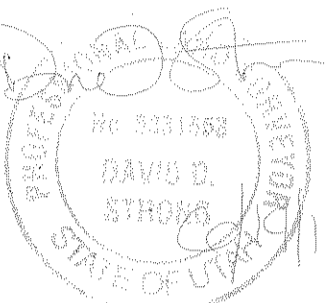




Engineers • Surveyors • Planners

J-U-B ENGINEERS, Inc.
 466 North 900 West
 Kaysville, Utah 84037

Phone: 801.547.0393
 Fax: 801.547.0397
 www.jub.com



THIS DOCUMENT AND THE DRAWINGS INCORPORATED HEREIN AS AN INSTRUMENT OF PROFESSIONAL SERVICE IS THE PROPERTY OF J-U-B ENGINEERS, INC. AND IS NOT TO BE USED, IN WHOLE OR PART, FOR ANY OTHER PROJECT WITHOUT THE EXPRESS WRITTEN AUTHORIZATION OF J-U-B ENGINEERS, INC.

NO.	REVISION	DESCRIPTION	BY	DATE

NORTH OGDEN CANAL
NORTH OGDEN IRRIGATION COMPANY

PHASE 2
 RIGHT-OF-WAY PLAT

GAD FILE: NORTH OGDEN CANAL PHASE 2A
 PROJ #: PMP/PROJECT #5607060
 DRAWN BY: DDS/JDM
 DESIGN BY:
 CHECKED BY: DDS
 SCALE OF SHEET:
 HORIZ SCALE: AS NOTED
 VERT SCALE: AS NOTED
 LAST UPDATED: 6/8/2012

SHEET

5

RECEIVED
 JUN 14 2012
 By: 004687