

RECORD OF SURVEY

DAVID RICHARDS/FORESTSERVICE LAND TRANSACTION

LOCATED IN THE NORTHEAST QUARTER OF SECTION 16,
AND THE SOUTHWEST QUARTER OF SECTION 15
TOWNSHIP 7 NORTH, RANGE 1 WEST, SALT LAKE BASE & MERIDIAN.
WEBER COUNTY, UTAH

MONUMENT NOTES

1	Center 1/4 Corner Section 17 T7N, R1W, SLB&M	This monument was not searched for during this survey. The location was derived from the published Weber County State Plane Coordinates N: 368286.12 E: 1899411.65 (UT SP NAD27, North Zone U.S.Ft.)
2	1/4 Corner Common to Sections 17 & 20 T7N, R1W, SLB&M	This monument was not searched for during this survey. The location was derived from the published Weber County State Plane Coordinates N: 365685.65 E: 1899390.91 (UT SP NAD27, North Zone U.S.Ft.)
3	1/4 Corner Common to Sections 16 & 17 T7N, R1W, SLB&M	No monument was found after an extensive search of the area. The search location fell in a large rock-slide area. The remnants of an ancient cut tree (8" diameter) and an ancient 2" x 2" hub were found near the search location. The corner was established at a bearing-bearing intersection from the monuments to the south and west through tree and hub as shown on this plat. No monument was set. N: 368172.54 E: 187217.60 (UT SP NAD27, North Zone U.S.Ft.)
4	Section Corner Sections 16, 17, 20, 21 T7N, R1W, SLB&M	This monument was not searched for during this survey. The location was derived from the published Weber County State Plane Coordinates N: 365493.88 E: 187217.21 (UT SP NAD27, North Zone U.S.Ft.)
5	1/4 Corner Common to Sections 9 & 16 T7N, R1W, SLB&M	A marked stone (1/4 scribed on the North face) was found next to a mound of stones and held as the original GLO Monument. N: 370864.19 E: 1874912.4624 (UT SP NAD27, North Zone U.S.Ft.)
6	Center 1/4 Corner Section 16 T7N, R1W, SLB&M	A 3 1/2" Aluminum US Forest Service Cap was set on a 30" aluminum drive stake at the intersection on the E-W and N-S center section lines. N: 368121.33 E: 1874870.19 (UT SP NAD27, North Zone U.S.Ft.)
7	1/4 Corner Common to Sections 16 & 21 T7N, R1W, SLB&M	A 3 1/2" Weber County Brass Cap (Dated 1980) was found in excellent condition. Set in concrete in a 6" PVC form. N: 365454.60 E: 1874829.09 (UT SP NAD27, North Zone U.S.Ft.)
8	1/4 Corner Common to Sections 21 & 28 T7N, R1W, SLB&M	A punched railroad spike was located flush with the pavement near the intersection of 3300 North & 750 East. N: 362189.65 E: 1874755.19 (UT SP NAD27, North Zone U.S.Ft.)
9	1/4 Corner Common to Sections 15 & 16 T7N, R1W, SLB&M	A 3 1/2" Aluminum US Forest Service Cap (Dated 2010) was located near a mound of stones including a marked stone (1/4 scribed on the face). N: 362189.65 E: 1874755.19 (UT SP NAD27, North Zone U.S.Ft.)
10	Section Corner Sections 15, 16, 21, 22 T7N, R1W, SLB&M	A rebar within a mound of stones was located near an ancient cedar fence corner post. The rebar was held as the Section Corner. N: 365419.05 E: 187431.93 (UT SP NAD27, North Zone U.S.Ft.)
11	1/4 Corner Common to Sections 21 & 22 T7N, R1W, SLB&M	This monument was not located during this survey. The location was derived from the published Weber County State Plane Coordinates N: 362753.25 E: 1877392.30 (UT SP NAD27, North Zone U.S.Ft.)
12	Section Corner Sections 21, 22, 27, 28 T7N, R1W, SLB&M	A 3 1/2" Weber County Brass Cap (Dated 1980) was found in excellent condition. Set in ringlid structure in the intersection of 3300 North & 1050 East. N: 360137.05 E: 1877353.69 (UT SP NAD27, North Zone U.S.Ft.)
13	1/4 Corner Common to Sections 15 & 22 T7N, R1W, SLB&M	A marked stone (1/4 scribed on the North face) was found near the intersection of the prolongation of the remnants of wire fences along the southerly line of the Southwest Quarter of Section 15, and the easterly line of the Southwest Quarter of Section 22. A 3 1/2" Aluminum US Forest Service Cap was set on a 30" aluminum drive stake at the base of the marked stone. N: 365372.82 E: 1890074.82 (UT SP NAD27, North Zone U.S.Ft.)

NARRATIVE

The purpose of this survey is to locate, re-establish, or establish and monument the property boundaries for land currently owned by David Richards, et. al., and being sold to the U.S. Forest Service. The Basis of Bearings is the Weber County Published State Plane (NAD 1927, Utah North Zone) for the North-South Centerline of Section 21, Township 7 North, Range 1 West. South 0°47'36" West 5265.45 feet. All Distances shown hereon are Grid (NAD 27).

Parcel 1:

The South Half of the Northeast Quarter of Section 16, Township 7 North, Range 1 West, Salt Lake Base and Meridian, located within the unincorporated area of Weber County, State of Utah.

Parcel 2:

A portion of the Southwest Quarter of Section 15, Township 7 North, Range 1 West, Salt Lake Base and Meridian, located within the unincorporated area of Weber County, State of Utah, and more particularly described as follows:

Commencing at the Southwest Corner of said Section 15; thence North 0°47'07" East 2652.93 feet along the westerly line of said Section 15 to the West Quarter Corner of said Section 15 and the **True Point of Beginning**; thence

South 44°11'24" East 701.56 feet to a line parallel with a distant 495.86 feet easterly of said westerly line of Section 15; thence

South 0°47'07" West 1392.60 feet along said parallel line to the northerly line of the Utah Power and Light (UP&L) parcel (APN: 16-007-003); thence

South 62°53'53" East 1650.00 feet along said northerly line of the UP&L parcel; thence

South 0°51'27" West 40.02 feet along the easterly line of said UP&L parcel to the southerly line of said Section 15; thence

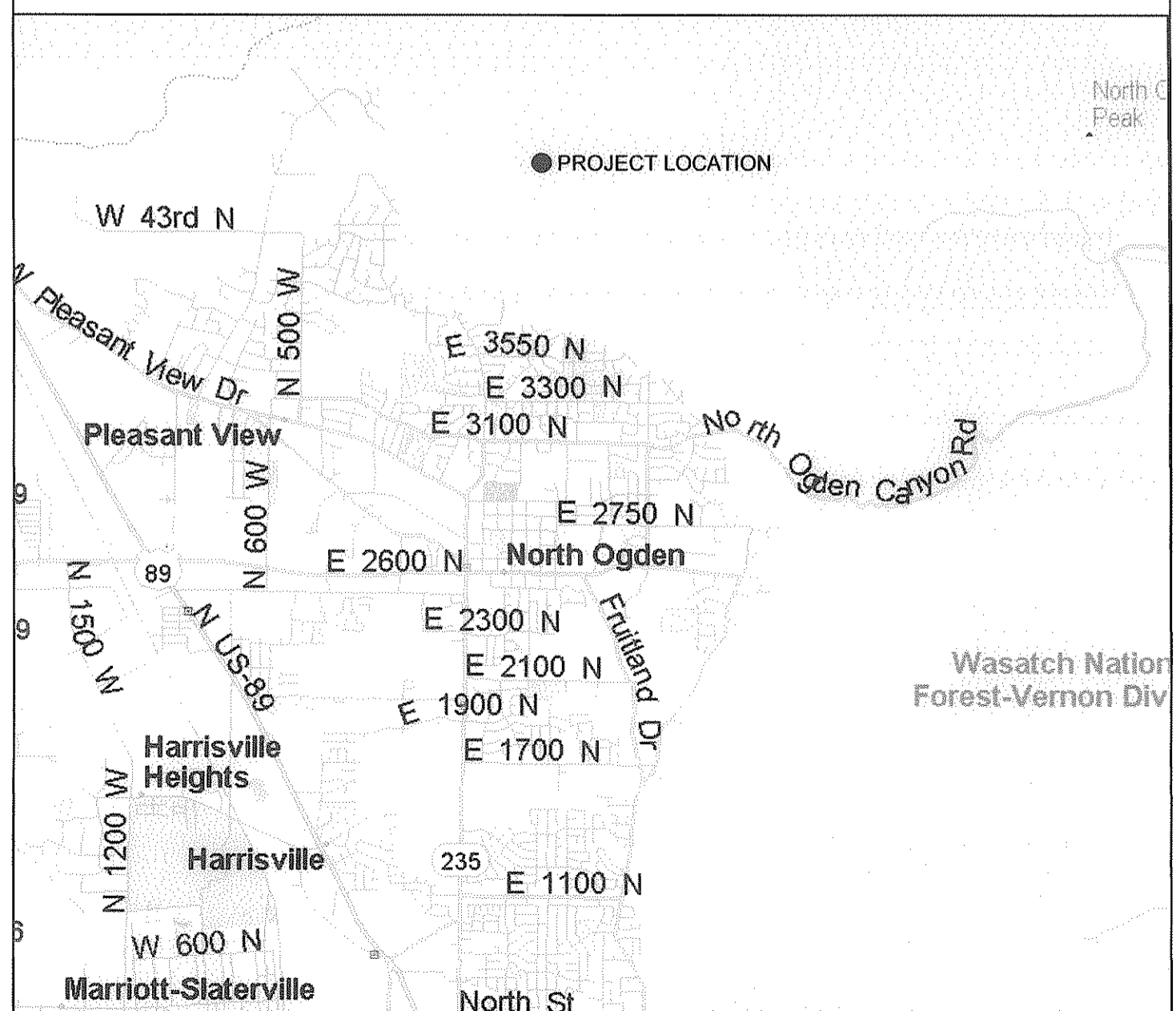
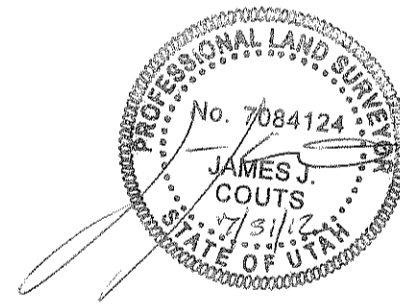
South 88°59'52" East 668.48 feet to the South Quarter Corner of said Section 15; thence

Northerly approximately 2641 feet along north-south centerline of said Section 15 to the Center Quarter Corner of said Section 15; thence

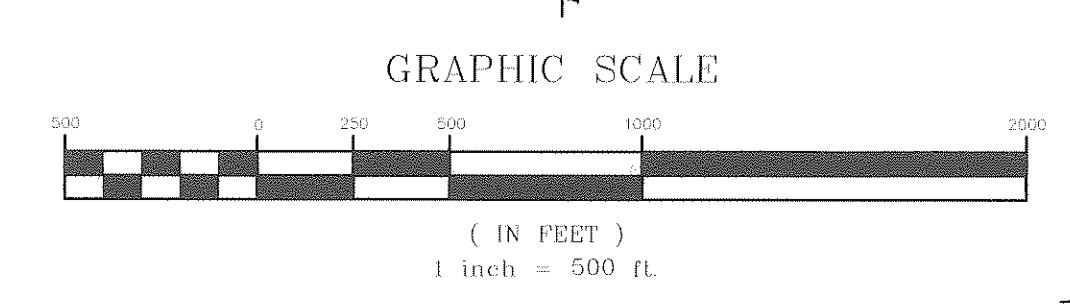
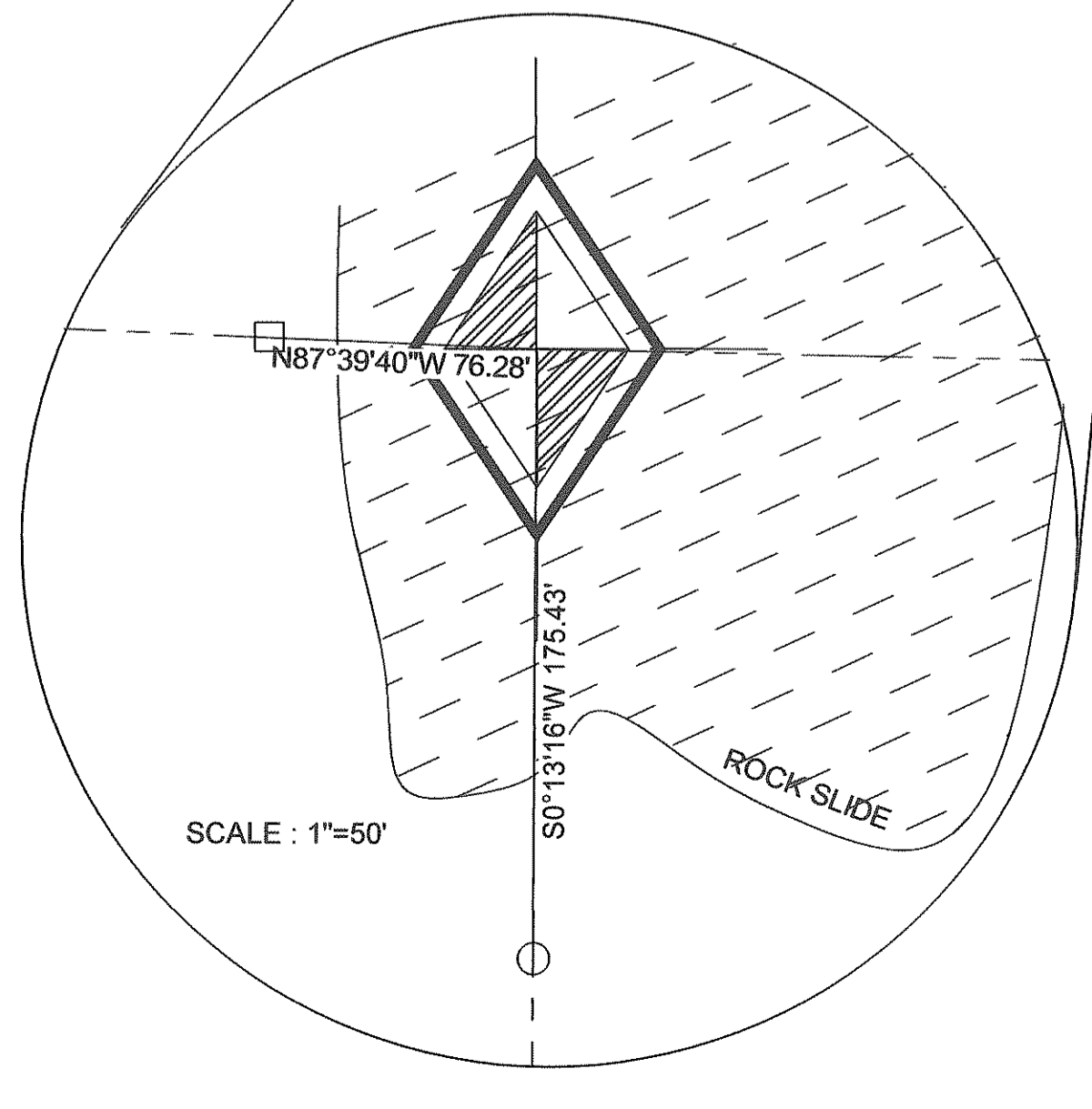
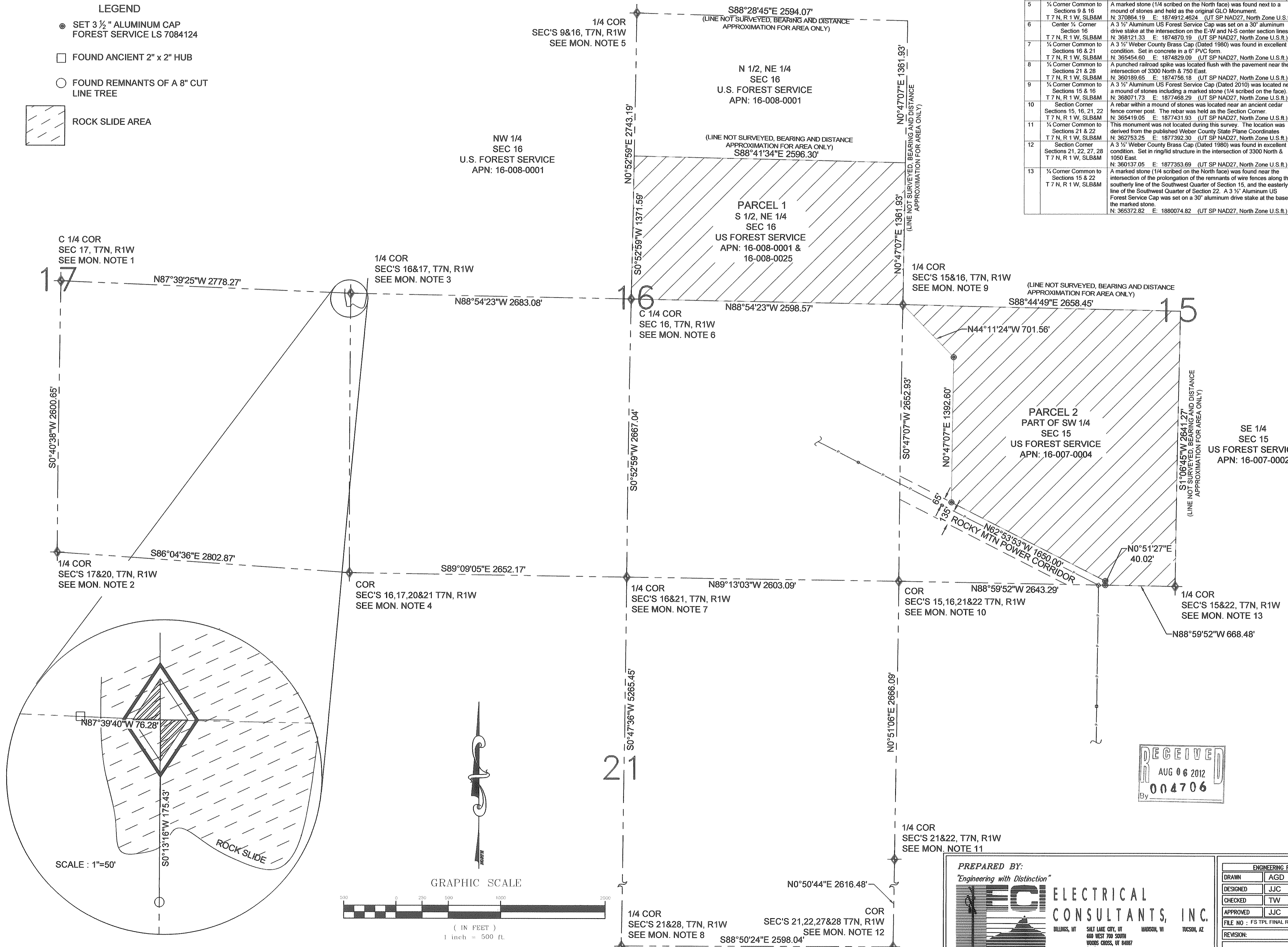
Westerly approximately 2658 feet along east-west centerline of said Section 15 to the West Quarter Corner of said Section 15 and the **True Point of Beginning**.

SURVEYOR'S CERTIFICATION

I, James J. Coutts, of Roy Utah, do hereby certify that I am a Licenced Professional Land Surveyor and that I hold License No. 7084124 as prescribed by the State of Utah, and that I did survey the above described parcels of land.



- ### LEGEND
- SET 3 1/2" ALUMINUM CAP FOREST SERVICE LS 7084124
 - FOUND ANCIENT 2" x 2" HUB
 - FOUND REMNANTS OF A 8" CUT LINE TREE
 - ▨ ROCK SLIDE AREA



PREPARED BY:
Engineering with Distinction
TEC
ELECTRICAL CONSULTANTS, INC.
BILLY, MT SALT LAKE CITY, UT MURKIN, WI TUCSON, AZ
600 WEST 700 SOUTH
HOODS CROSS, UT 84007
(801) 292-9954

ENGINEERING RECORD		
DRAWN	AGD	7/10/2012
DESIGNED	JJC	
CHECKED	TW	7/10/2012
APPROVED	JJC	
FILE NO. :	FS TPL FINAL ROS	
REVISION:		

LOCATED IN
NORTHEAST 1/4 of SECTION 16
AND THE SOUTHWEST 1/4 of SECTION 15
TOWNSHIP 7 NORTH, RANGE 1 WEST, S.L.B.&M.
WEBER COUNTY, UTAH
Dates of Field Work: MAY & JUNE, 2011 SCALE: 1" = 500'

