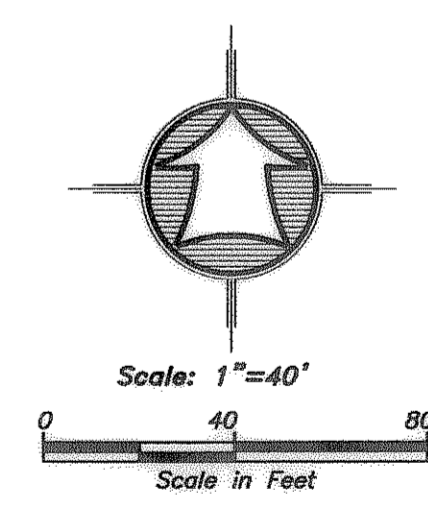


Weber County Brass Cap Monument Not Found
Calculated Position From
Weber County Bearing Sheets

Weber County Brass Cap Monument
East Quarter Corner Sec. 35, T7N,
R3W, S.L.B.&M. 1982 Good Condition

Weber County Brass Cap Monument
Southeast Corner Sec. 35, T7N,
R3W, S.L.B.&M. 1980 Good Condition

Weber County Brass Cap Monument
WC-6 Elevation 4213.757
(Site Bench Mark)



- LEGEND**
- Subject Property Line
 - Property Line
 - Adjoining Property Line
 - Centerline
 - Ditch
 - Fence Line
 - Section Corner
 - Street Monument
 - Found Survey Point
 - Set 5/8\" Rebar With Cap



SURVEYOR'S CERTIFICATE

I, Clint Harry Whitney, do hereby certify that I am a Registered Professional Land Surveyor in the State of Utah in accordance with Title 58, Chapter 22, Professional Engineers and Land Surveyors Act; and by the Authority of the Owners, I have Completed a Survey of the Property Described and shown Hereon this Plat in Accordance with Section 17-23-17 and have Verified all Measurements, and that the same has been Surveyed and Monuments have been Located and/or Placed on the Ground as Represented on the plat Hereon.

Signed this 10 day of SEPTEMBER, 2012.

Clint Harry Whitney PLS
Utah Land Surveyor License No. 8227228-2201



Narrative
The purpose of this survey was to establish and set the property corners of the parcel as shown and described hereon and set a on site bench mark at 4216.00 per the Weber County 4215.00 building moratorium. The survey was ordered by Greg Neff. The control used to establish the property corners was the existing Weber County Survey Monumentation surrounding Section 35, T7N, R3W, S.L.B.&M. The basis of bearing is the East line of the Southeast Quarter of said Section which bears South 00°11'27\" West, Utah North, State Plane, Calculated N.A.D.83 Bearing. The Vertical Control is Weber County Bench Mark WC-6 at 4213.757.

Property Description
All of Lot 1, Tails End Subdivision, Weber County, Utah

<p>Property Survey for Greg Neff 2323 North 6700 West Weber County Utah A Part of the Northeast Quarter of Section 35 Township 7 North, Range 3 West, S.L.B.&M.</p>	
<p>Drawn By: Lchw Date: 9/20/12</p>	<p>Checked By: _____</p>
<p>Approved By: _____</p>	<p>Scale: 1"=40'</p>
<p>Drawing File: 12-3-149 v12.dwg</p>	<p>JOB NUMBER: 12-3-149</p>
<p>No. _____</p>	<p>Date _____</p>
<p>By _____</p>	<p>Revision _____</p>