

RECEIVED
 SEP 25 2013
 BY 004877

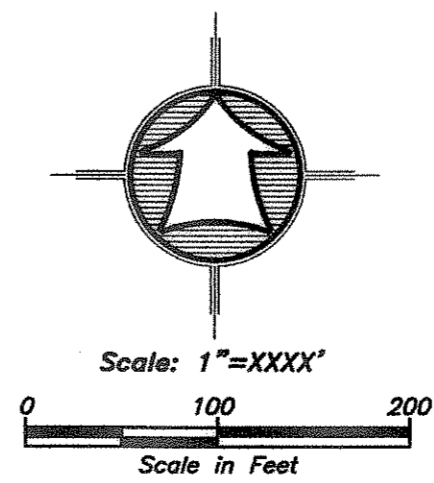
Narrative

The purpose of this survey was to establish and set the property corners of the parcel as shown and described hereon. The survey was ordered by Eric Hamilton. The control used to establish the property corners was the existing Ogden City Survey Monumentation surrounding Block 9 of the Nob Hill Addition. The basis of bearing is the center line of 23rd street from the monument at Polk Avenue to the monument at Taylor Avenue which bears South 88°42'37" East.

AS RECORDED DESCRIPTION

ALL OF LOT 5, BLOCK 9, NOB HILL ADDITION, OGDEN CITY, WEBER COUNTY, UTAH. TOGETHER WITH THE SOUTH 1/2 OF VACATED ALLEY ADJOINING SAID PROPERTY TO THE NORTH.

- LEGEND**
- Subject Property Line
 - Property Line
 - - - - - Adjoining Property Line
 - Centerline
 - - - - - Ditch
 - - - - - Fence Line
 - ⊕ Section Corner
 - ⊙ Street Monument
 - ⊙ Found Survey Point
 - ⊙ Set 5/8"x24" Rebar With Cap

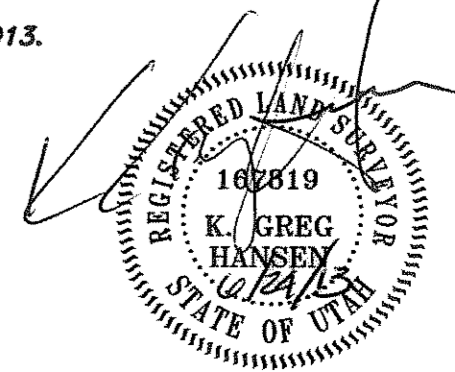


SURVEYOR'S CERTIFICATE

I, K. Greg Hansen, do hereby certify that I am a Registered Professional Land Surveyor in the State of Utah in accordance with Title 58, Chapter 22, Professional Engineers and Land Surveyors Act; and by the Authority of the Owners, I have completed a Survey of the Property Described and shown Hereon this Plat in accordance with Section 17-23-17 and have verified all Measurements, and that the same has been Surveyed and Monuments have been Located and/or Placed on the Ground as Represented on the Plat Hereon.

Signed this 24TH day of JUNE, 2013.

K. Greg Hansen PLS
 Utah Land Surveyor License No. 167819



Drawn By: kgh Date: 06/19/13
 Designed By:
 Checked By:
 Approved By:
 Scale: 1" = 30'
 Drawing File: 13-3-110v12
 JOB NUMBER: 13-3-110

Property Survey for
Eric Hamilton
 1430 23rd Street
 Ogden City, Weber County, Utah
 A Part of the Southwest Quarter of Section 27,
 Township 6 North, Range 1 West, S.L.B.&M.

Sheet
1
 of
1
 Sheets

No.	Date	By	Revision

HANSEN & ASSOCIATES, INC.
 Consulting Engineers and Land Surveyors
 538 North Main Street, Brigham, Utah 84302
 Visit us at www.hansen.net
 Ogden
 Brigham City
 (435) 723-3461 (801) 399-4905 (435) 725-8272

