

**Contains 12.9± Acres**

**NARRATIVE**

This survey was requested by DeAnn Barnson for the purpose of establishing the property lines of this parcel. Brass Cap Monuments were found at the Southwest corner, and the Northwest corner of Section 12, T6N, R2E, SLB&M, U.S. Survey.

A line bearing North 0°08'36" East between the Southwest corner and the Northwest corner was used as the Basis of bearings.

A survey done by Landmark Surveying (File No. 2571ROS) Dated 6-1-04, (W.C.S. Filing No. 3380) was used to help determine the position of the Adjoining Property owners along the North Bank of the River.

These properties were rotated clockwise around the Northeast corner of the Southwest Quarter of the Southwest Quarter, to best fit occupation and the survey done by Landmark Surveying.

Multiple UDOT right of way monuments were found along the right of way of State highway U-39. The locations and relative positions between the monuments did not check in relation to the right of way monuments called out and shown on Sheet 8, N.R.S. Project No. WPSS 132-B dated 1938, Notebook No. 2458, provided by UDOT Region 1. The right of way was positioned by rotating and best fitting the found monuments.

A Rebar and Reeve & Associates cap was found near the Southwest corner of the property. Its location is depicted as the Southwest corner Section 11, on a survey done by Reeve & Associates Inc, dated August 6, 2004 (W.C.S. Filing No. 3326). The Southwest corner was recently monumented by the Weber County Surveyors office with a Brass Cap Monument in September 2010, the Brass Cap was honored. The Original Township Survey plot done in 1900 and Approved on March 20, 1901, was used to determine the prorated distances to divide up the section.

The overall section was broken down as depicted to determine the Northeast corner of the Southwest Quarter of the Southwest Quarter, the point of beginning of the parcel.

Property corners were monumented as depicted on this drawing.

**AS SURVEYED DESCRIPTION**

A part of the Southwest Quarter Of Southwest Quarter Of Section 12, Township 6 North, Range 2 East, Salt Lake Base and Meridian, U.S. Survey:

Beginning At Northeast Corner of said Quarter Quarter Section said point being 1328.97 feet North 89°59'50" East and 1324.43 feet North 0°03'31" East from the Brass Cap Monument at the Southwest corner of Section 12; and running thence South 0°03'31" West 331.71 feet along the Sixteenth line to an Existing fence line extended; thence South 78°40'36" West 115.18 feet along said fence line extended and said fence line to a fence corner; thence South 15°18'30" West 32.21 feet to a Rock Wall; thence five (5) courses along said Rock Wall as follows: South 35°45'42" East 50.12 feet; South 48°40'12" East 32.88 feet; South 62°12'54" East 14.72 feet; South 76°41'45" East 14.17 feet and South 53°40'44" East 50.33 feet, more or less, to said Sixteenth line; thence South 0°03'31" West 836.78 feet along said Sixteenth line, to the Southeast Corner of said Quarter of Quarter Section; thence South 89°59'50" West 621.59 feet; thence North 0°06'47" West 779.36 feet to North bank of South Fork; thence five (5) courses along said river and the abutting properties as follows: South 48°04'01" East 34.43 feet; South 74°07'49" West 191.42 feet North 80°06'11" West 215.11 feet; South 22°54'49" East 27.26 feet and North 67°05'11" East 150.00 feet; thence North 22°54'49" West 135.00 feet; thence South 67°05'11" West 150.00 feet; thence North 65°53'49" West 236.58 feet to Southerly right of way line of SR 39; thence three (3) courses along said Southerly right of way line as follows: Northeasterly along the arc of a 613.70 foot radius curve to the left a distance of 423.94 feet (long chord bears North 49°39'08" East 415.56 feet); thence North 60°08'15" East 7.00 feet and North 49°51'45" East 132.55 feet to the North line of said Quarter Quarter Section, thence North 89°53'56" East 81.02 feet to the point of beginning.

Contains 12.9 Acres more or less

**BOUNDARY DESCRIPTION**

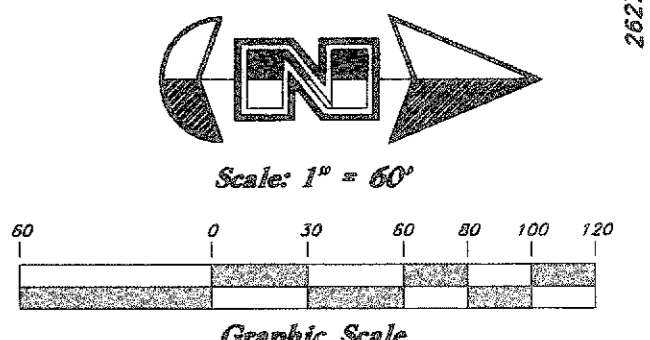
A part of the Southwest Quarter Of Southwest Quarter Of Section 12, Township 6 North, Range 2 East, Salt Lake Base and Meridian, U.S. Survey:

Beginning At Northeast Corner of said Quarter Quarter Section; thence South 331.5 Feet To North line Of Roger Brown Property; thence South 78° West 79.72 feet; thence South 14° West 31.5 Feet To A Rock Wall; thence South 49°30' East 99.42 Feet, more or less, To East Line of said Quarter Of Quarter Section; thence South 876.81 Feet more or less, to the Southeast Corner of said Quarter of Quarter Section; thence West 610 Feet; thence North to North bank of South Fork; thence Easterly Along River (And along the Southerly Lines Of Properties Abutting Said River) To a point West 95 Feet And South 217" East 400 Feet And South 30°32' East 135 Feet From Beginning; thence North 30°32' West 135 Feet; thence South 59°28' West 150 Feet; thence North 73°31' West 250 Feet; thence North 87°22' West to Southerly Line Of The New State Road; thence Northeasterly along State Road To North Line Of Said Quarter Of Quarter Section, thence East To Beginning.

**SURVEYOR'S CERTIFICATE**

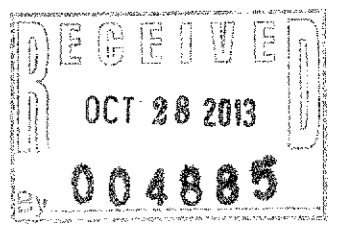
I, Andy Hubbard do hereby certify that I am a Registered Professional Land Surveyor, and that I hold Certificate No. 6242920, in accordance with Title 58, Chapter 22, of the Professional Engineers and Surveyors Licensing Act, and I have made a survey of the above described property according to Section 17-23-17 and that the above plot correctly shows the true dimensions of the property surveyed.

6-29-2013  
 Andy Hubbard  
 Registered Professional Land Surveyor



**LEGEND**

- ▲ Set Nail & Washer
- Set Rebar & Cap
- / — Fencepost
- Set Hub & Tack
- ⊙ Monument to be set
- Rec. Record info from Original Plat
- Calc'd Calculated
- Meas. Measured
- Fenceline



GREAT BASIN  
 SOUTH 1475 EAST OGDEN, UTAH 84403  
 5746 SOUTH 1475 EAST OGDEN, UTAH 84403

Property Survey  
 DeAnn Barnson

29 Sep, 2013  
 SHEET NO. 1  
 01M312-PS