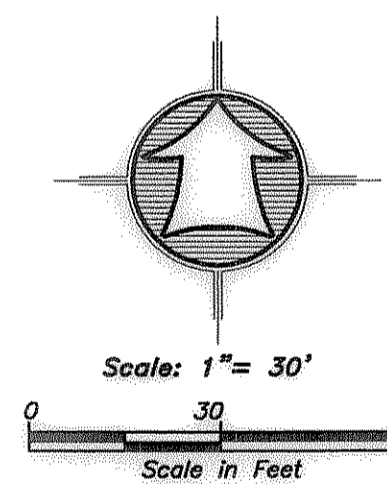


**Narrative**

The purpose of this survey was to establish and set the property corners of the parcel as shown and described hereon. The survey was ordered by Mrs. Tijerina. The control used to establish the property corners was the existing Ogden City Survey Monumentation surrounding the subject property being part of Block 4, Childs Addition and Part of Block 10, South Ogden Survey. The ownership plats represent that there is a jog in the east property line. In researching the deed lines, that jog does not exist. The basis of bearing is the monument line along Washington Blvd. from 30th St. to 29th St. which bears North 00°58'00\"/>

**As-Surveyed Description**

BEGINNING AT A POINT LOCATED 4.00 FEET NORTH 88°59'21\"/>



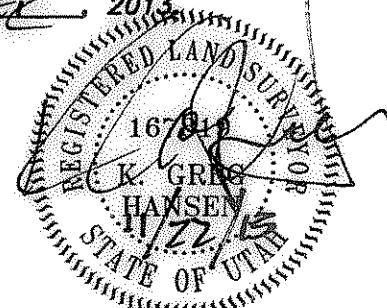
- LEGEND**
- Subject Property Line
  - Property Line
  - Adjoining Property Line
  - Centerline
  - Ditch
  - Fence Line
  - Section Corner
  - Street Monument
  - Found Survey Point
  - Set 5/8\"/>

**SURVEYOR'S CERTIFICATE**

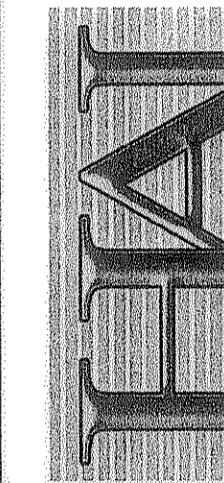
I, K. Greg Hansen, do hereby certify that I am a Registered Professional Land Surveyor in the State of Utah in accordance with Title 55, Chapter 22, Professional Engineers and Land Surveyors Act; and by the Authority of the Owners, I have completed a Survey of the Property Described and shown hereon this Plat in accordance with Section 17-23-17 and have verified all measurements, and that the same has been surveyed and monuments have been located and/or placed on the ground as represented on the plat hereon.

Signed this 22ND day of NOVEMBER, 2013.

K. Greg Hansen PLS  
Utah Land Surveyor License No. 167819



HANSEN & ASSOCIATES, INC.  
Consulting Engineers and Land Surveyors  
538 North Main Street, Brigham, Utah 84302  
Visit us at www.hansen.net  
Logan Ogden Brigham City



Drawn By: kgh Date: 11/16/13  
Designed By: \_\_\_\_\_  
Checked By: \_\_\_\_\_  
Approved By: \_\_\_\_\_  
Scale: 1\"/>

Property Survey for  
**Alvin Tijerina**  
323 29th Street  
Ogden City, Weber County, Utah

Sheet  
**1**  
of  
**1**  
Sheets