

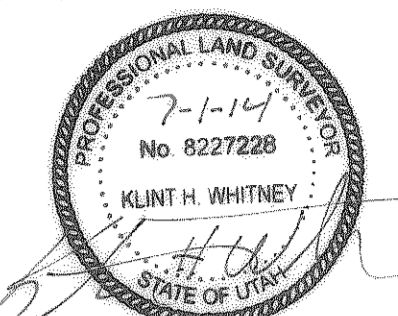
**BEST SUBDIVISION**  
**A PART OF THE NORTHWEST QUARTER OF SECTION 11,**  
**TOWNSHIP 6 NORTH, RANGE 1 EAST,**  
**SALT LAKE BASE AND MERIDIAN**  
**WEBER COUNTY, UTAH**  
**MAY, 2014**

**SURVEYOR'S CERTIFICATE**

I, KLINT H. WHITNEY, DO HEREBY CERTIFY THAT I AM A LICENSED PROFESSIONAL LAND SURVEYOR IN THE STATE OF UTAH AND THAT I HOLD CERTIFICATE NO. 8227228 IN ACCORDANCE WITH TITLE 58, CHAPTER 22, OF THE PROFESSIONAL ENGINEERS AND LAND SURVEYORS ACT; I FURTHER CERTIFY THAT BY AUTHORITY OF THE OWNERS I HAVE COMPLETED A SURVEY OF THE PROPERTY DESCRIBED ON THIS SUBDIVISION PLAT IN ACCORDANCE WITH SECTION 17-23-20 AND HAVE VERIFIED ALL MEASUREMENTS; THAT THE REFERENCE MONUMENTS SHOWN ON THIS PLAT ARE LOCATED AS INDICATED AND ARE SUFFICIENT TO RETRACE OR REESTABLISH THIS PLAT, AND THAT THE INFORMATION SHOWN HEREIN IS SUFFICIENT TO ACCURATELY ESTABLISH THE LATERAL BOUNDARIES OF THE HEREIN DESCRIBED TRACT OF REAL PROPERTY; AND THAT THIS PLAT OF:

**BEST SUBDIVISION**

IN WEBER COUNTY, UTAH, HAS BEEN DRAWN CORRECTLY TO THE DESIGNATED SCALE AND IS A TRUE AND CORRECT REPRESENTATION OF THE HEREIN DESCRIBED LANDS INCLUDED IN SAID SUBDIVISION, BASED UPON DATA COMPILED FROM RECORDS IN THE WEBER COUNTY RECORDERS OFFICE; I FURTHER CERTIFY THAT THE REQUIREMENTS OF ALL APPLICABLE STATUTES AND ORDINANCES OF WEBER COUNTY CONCERNING ZONING REQUIREMENTS REGARDING LOT MEASUREMENTS HAVE BEEN COMPLIED WITH.

  
 SIGNED THIS 12 DAY OF July, 2014  
 KLINT H. WHITNEY, PLS NO. 8227228

**SUBDIVISION BOUNDARY DESCRIPTION**

A PART OF THE NORTHWEST QUARTER OF SECTION 11, TOWNSHIP 6 NORTH, RANGE 1 EAST OF THE SALT LAKE BASE AND MERIDIAN, BEGINNING AT A POINT ON THE CENTERLINE OF 5900 EAST STREET AS DETERMINED BY THE RACCASI SUBDIVISION RECORDED IN BOOK 54 PAGE 55 WEBER COUNTY RECORDERS OFFICE LOCATED SOUTH 00°25'02" WEST 2.89 FEET (SOUTH 00°35'38" WEST 2.89 FEET BY RECORD) FROM THE MONUMENTED SOUTH QUARTER CORNER OF SAID SECTION 11; RUNNING THENCE ALONG SAID CENTERLINE SOUTH 00°25'02" WEST 297.71 FEET (SOUTH 00°46'08" WEST 297.75 FEET BY RECORD); THENCE SOUTH 89°29'01" WEST 130.40 FEET (SOUTH 89°29'01" WEST 120.56 FEET BY RECORD); THENCE SOUTH 00°09'00" WEST 16.00 FEET; THENCE NORTH 89°57'00" WEST 321.84 FEET; THENCE NORTH 00°45'38" EAST 315.02 FEET; THENCE SOUTH 89°57'00" EAST 450.23 FEET TO THE POINT OF BEGINNING, CONTAINING 3.212 ACRES AND ONE (1) LOT.

**Owner's Dedication**

We the undersigned owners of the herein described tract of land, do hereby set apart and subdivide the same into a lot as shown hereon and name said tract, BEST SUBDIVISION and do hereby:

Dedicate to public use all those parts or portions of said tract of land designated as streets, the same to be used as public thoroughfares.

Grant and dedicate a perpetual right and easement over, upon and under the lands designated hereof as public utility, storm water detention ponds drainage easements and canal maintenance easement, the same to be used for the installation maintenance and operation of public utility service line, storm drainage facilities, irrigation canals or for the perpetual preservation of water channels in their natural state whichever is applicable as may be authorized by the governing authority, with no buildings or structures being erected within such easements.

SIGNED THIS THE \_\_\_\_\_ DAY OF \_\_\_\_\_, 2014

Barry Scott Best

Kimberly Bailey Best

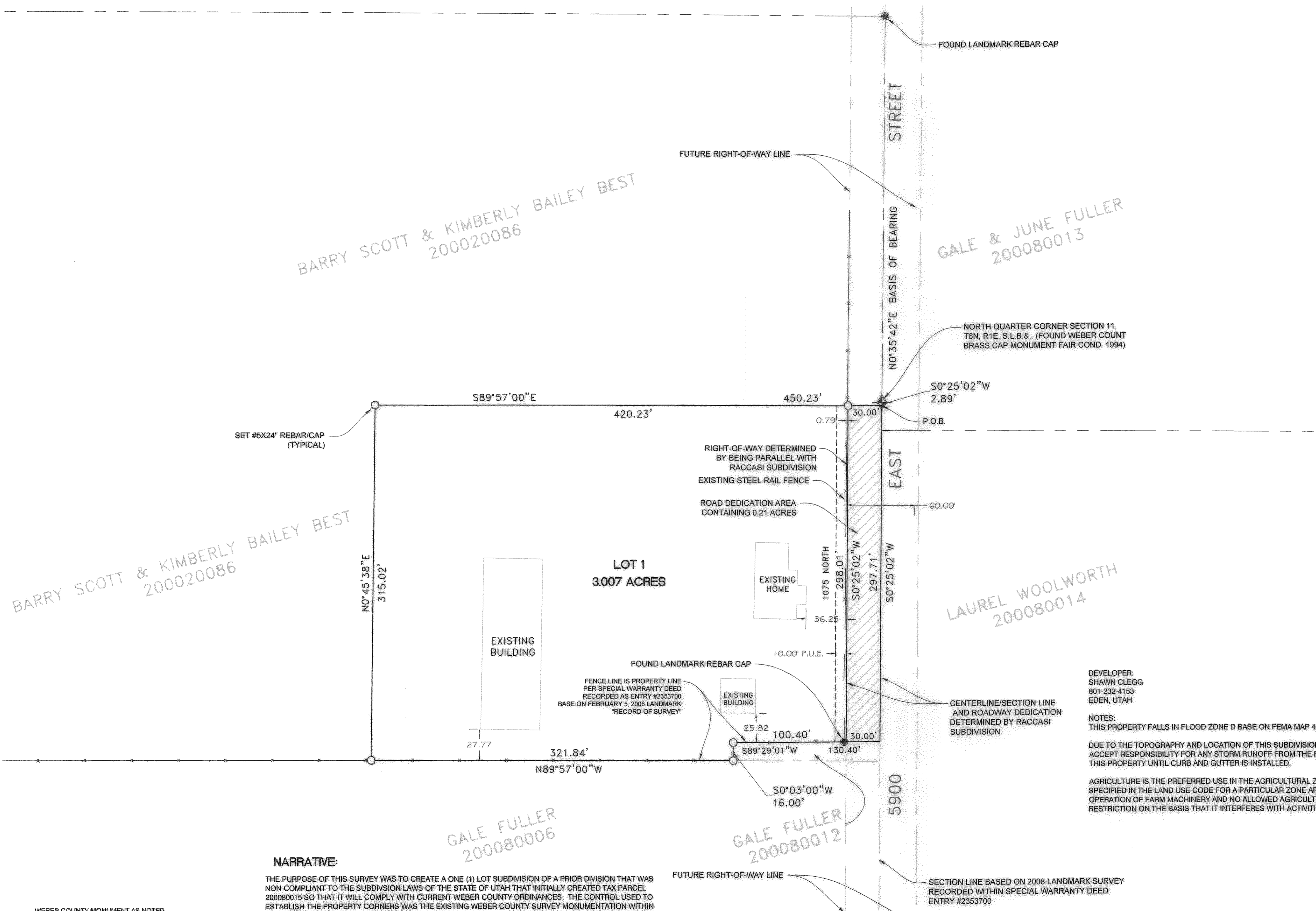
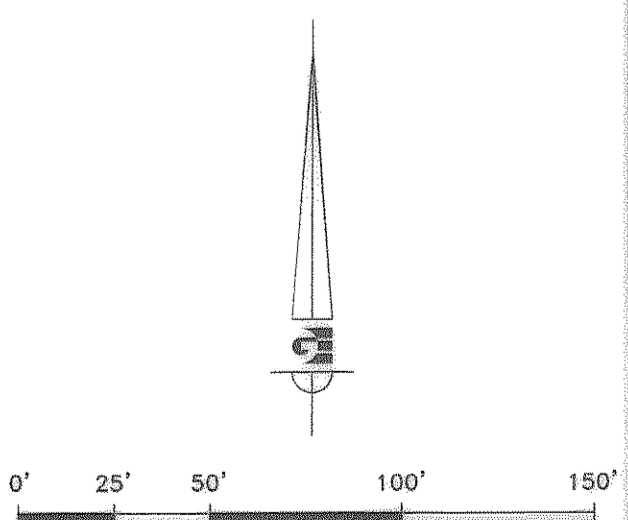
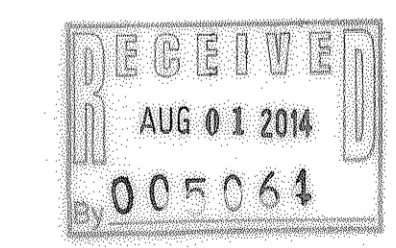
**ACKNOWLEDGMENT**

STATE OF UTAH )  
 ) ss  
 COUNTY OF \_\_\_\_\_ )

ON THIS \_\_\_\_ DAY OF \_\_\_\_\_, 2014,

PERSONALLY APPEARED BEFORE ME, ERIC SMITH, THE SIGNER OF THE ABOVE OWNERS' DEDICATION, WHO DULY ACKNOWLEDGED TO ME HE SIGNED IT FREELY AND VOLUNTARILY AND FOR THE PURPOSES THEREIN MENTIONED.

\_\_\_\_\_  
 NOTARY PUBLIC



**NARRATIVE:**

THE PURPOSE OF THIS SURVEY WAS TO CREATE A ONE (1) LOT SUBDIVISION OF A PRIOR DIVISION THAT WAS NON-COMPLIANT TO THE SUBDIVISION LAWS OF THE STATE OF UTAH THAT INITIALLY CREATED TAX PARCEL 200080015 SO THAT IT WILL COMPLY WITH CURRENT WEBER COUNTY ORDINANCES. THE CONTROL USED TO ESTABLISH THE PROPERTY CORNERS WAS THE EXISTING WEBER COUNTY SURVEY MONUMENTATION WITHIN AND SURROUNDING SECTION 11, TOWNSHIP 6 NORTH, RANGE 1 EAST OF THE SALT LAKE BASE AND MERIDIAN. THE RIGHT-OF-WAY OF 5900 EAST WAS DETERMINED BY PROJECTING THE DEDICATED RIGHT-OF-WAY PER THE RACCASI SUBDIVISION TO THE SOUTH. THE BASIS OF BEARING IS A LINE BETWEEN THE NORTH QUARTER CORNER OF SAID SECTION 11 AND THE NORTH QUARTER CORNER OF SECTION 2, TOWNSHIP 6 NORTH, RANGE 1 EAST, OF THE SALT LAKE BASE AND MERIDIAN WHICH BEARS NORTH 00°35'42" EAST UTAH NORTH NAD 83 STATE PLANE CALCULATED GRID BEARING. (WEBER COUNTY BEARING SHEETS DO NOT SHOW RECORD DISTANCES FOR SECTION 11)

- WEBER COUNTY MONUMENT AS NOTED
- SET #5X24 REBAR AND CAP MARKED GARDNER ENGINEERING
- FOUND PROPERTY CORNER AS NOTED
- PROPERTY LINE
- ADJACENT PARCEL
- SECTION LINE
- EXISTING BUILDING
- EXISTING FENCE
- 10.00 FOOT PUBLIC UTILITY EASEMENT
- ROADWAY DEDICATION AREA

801-476-4242 5150 S. 375 E. OGDEN UTAH, 84405



**Weber County Surveyor**

I hereby certify that the Weber County Surveyor's Office has reviewed this plat for mathematical correctness, section corner data, and for harmony with lines and monuments on record in County offices. The approval of this plat by the Weber County Surveyor does not relieve the Licensed Land Surveyor who execute this plat from the responsibilities and/or liabilities associated therewith.

Signed this \_\_\_\_\_ day of \_\_\_\_\_, 20\_\_\_\_.

\_\_\_\_\_  
 Signature

**Weber County Attorney**

I have examined the financial guarantee and other documents associated with this subdivision plat and in my opinion they conform with the County Ordinance applicable thereto and now in force and effect.

Signed this \_\_\_\_\_ day of \_\_\_\_\_, 20\_\_\_\_.

\_\_\_\_\_  
 Signature

**Weber County Engineer**

I hereby certify that the required public improvement standards and drawings for this subdivision conform with County standards and the amount of the financial guarantee is sufficient for the installation of these improvements.

Signed this \_\_\_\_\_ day of \_\_\_\_\_, 20\_\_\_\_.

\_\_\_\_\_  
 Signature

**Weber County Commission Acceptance**

This is to certify that this subdivision plat, the dedication of streets and other public ways and financial guarantee of public improvements associated with this subdivision, thereon are hereby approved and accepted by the Commissioners of Weber County, Utah this \_\_\_\_\_ day of \_\_\_\_\_, 20\_\_\_\_.

\_\_\_\_\_  
 Chairman, Weber County Commission

Attest:  
 \_\_\_\_\_  
 Title:

**Weber County Planning Commission Approval**

This is to certify that this subdivision plat was duly approved by the Weber County Planning Commission on the \_\_\_\_\_ day of \_\_\_\_\_, 20\_\_\_\_.

\_\_\_\_\_  
 Chairman, Weber County Planning Commission

**COUNTY RECORDER**

ENTRY NO. \_\_\_\_\_ FEE PAID \_\_\_\_\_  
 FILED FOR RECORD AND RECORDED \_\_\_\_\_, AT \_\_\_\_\_, UTAH  
 IN \_\_\_\_\_ BOOK OF OFFICIAL RECORDS, PAGE \_\_\_\_\_, RECORDED FOR \_\_\_\_\_  
 \_\_\_\_\_  
 COUNTY RECORDER  
 BY: \_\_\_\_\_ DEPUTY