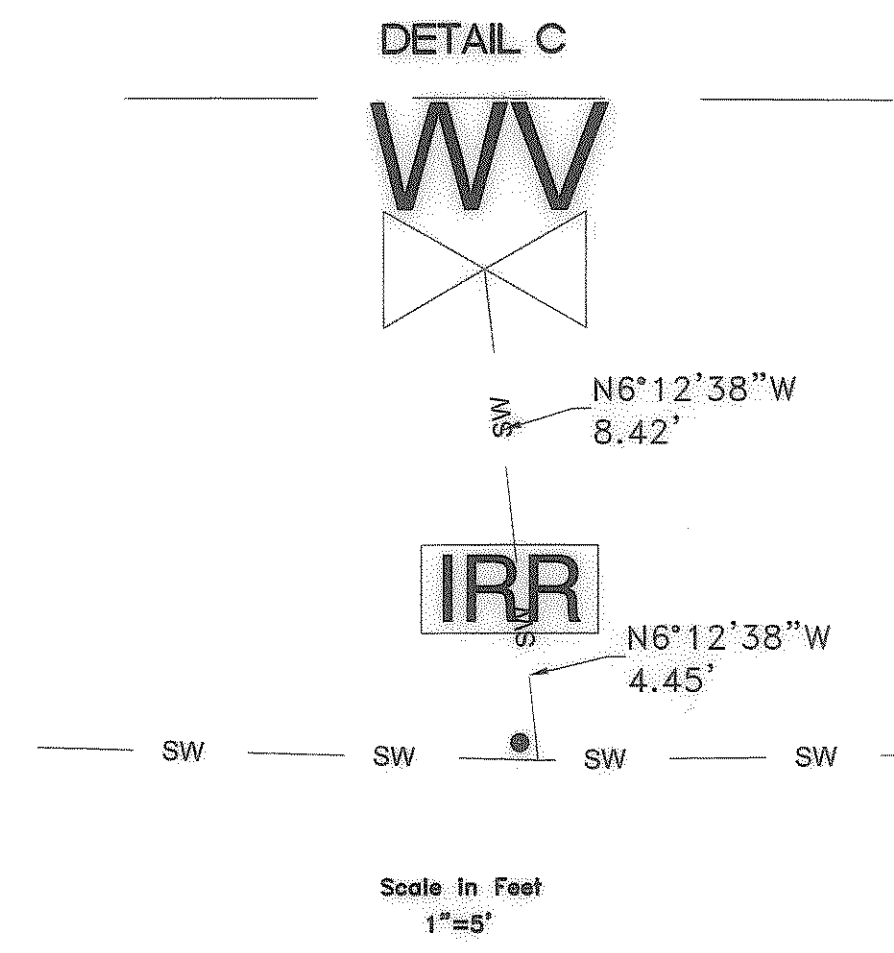
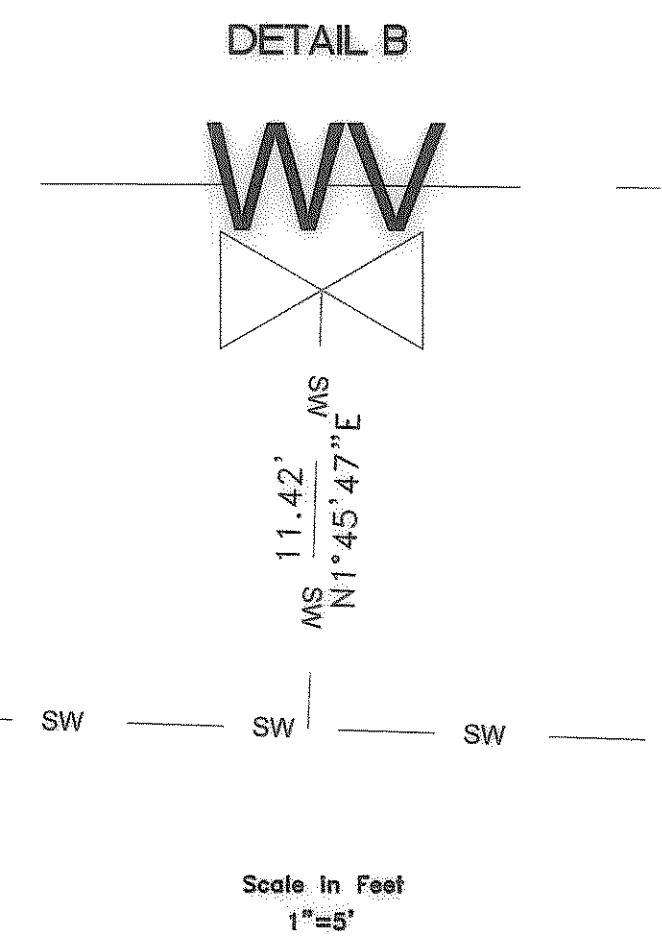
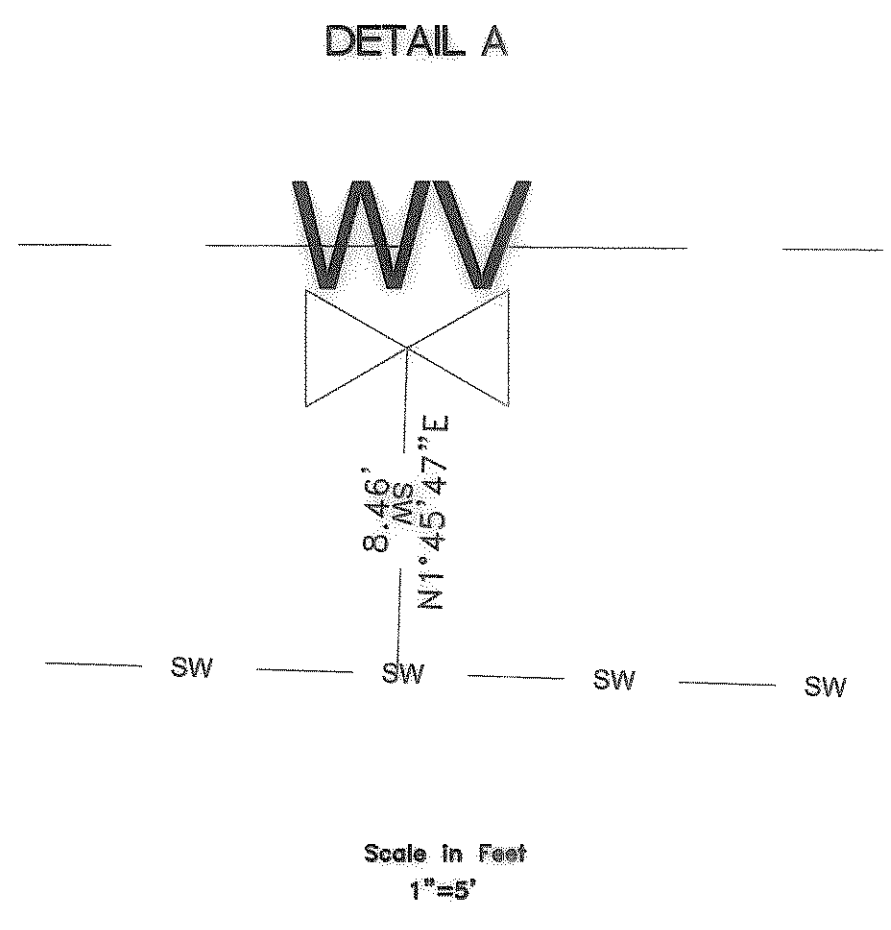
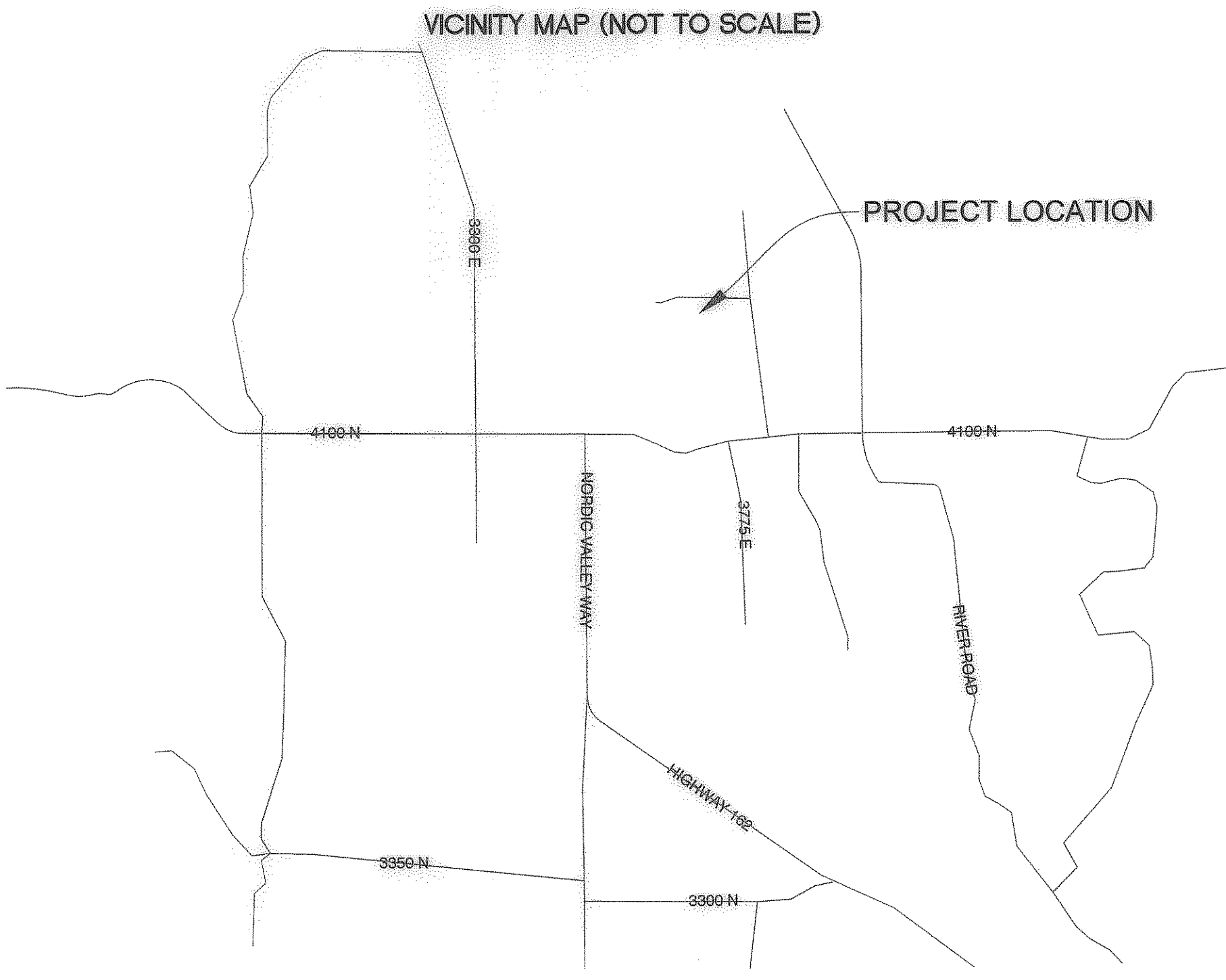
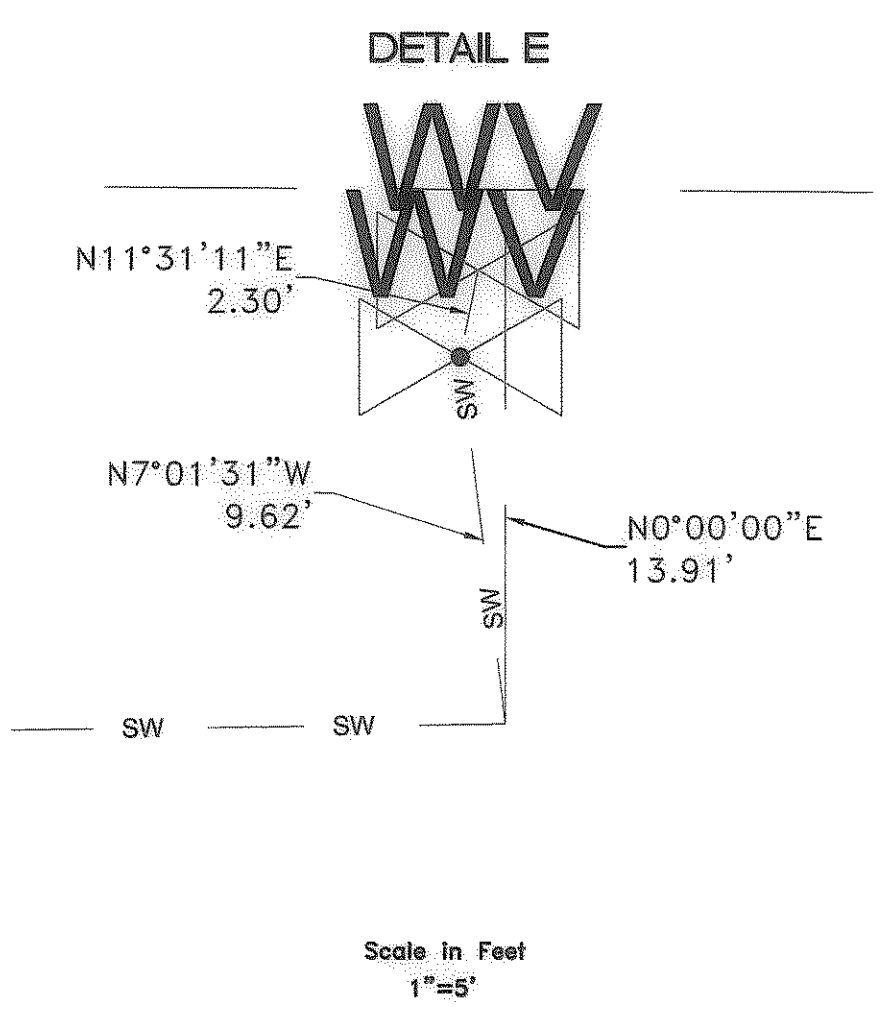
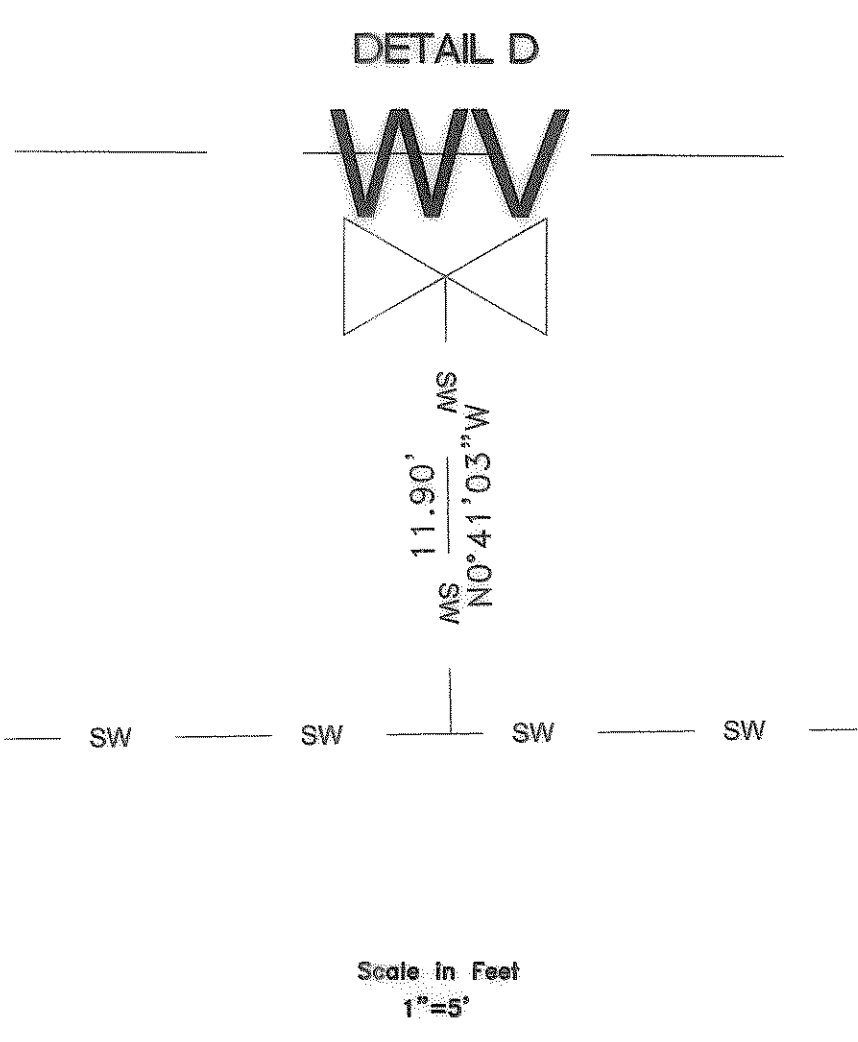
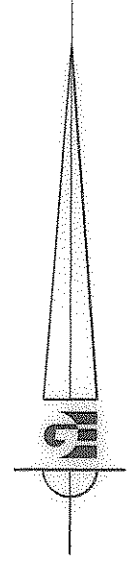


NORTHEAST CORNER OF SECTION 20, TOWNSHIP 7 NORTH, RANGE 1 EAST, S.L.B.&M. (FOUND WEBER COUNTY BRASS CAP MONUMENT 1994 GOOD CONDITION)



NARRATIVE:

THE PURPOSE OF THIS SURVEY WAS TO ESTABLISH THE LOCATION OF THE RECENTLY CONSTRUCTED LIBERTY IRRIGATION COMPANY WATER LINE. THE SURVEY WAS ORDERED BY THE LIBERTY IRRIGATION COMPANY. THE CONTROL USED TO ESTABLISH THE LOCATION OF SAID WATER LINE WAS THE WEBER COUNTY SURVEY MONUMENTATION SURROUNDING SECTION 20, TOWNSHIP 7 NORTH, RANGE 1 WEST, OF THE SALT LAKE BASE AND MERIDIAN.

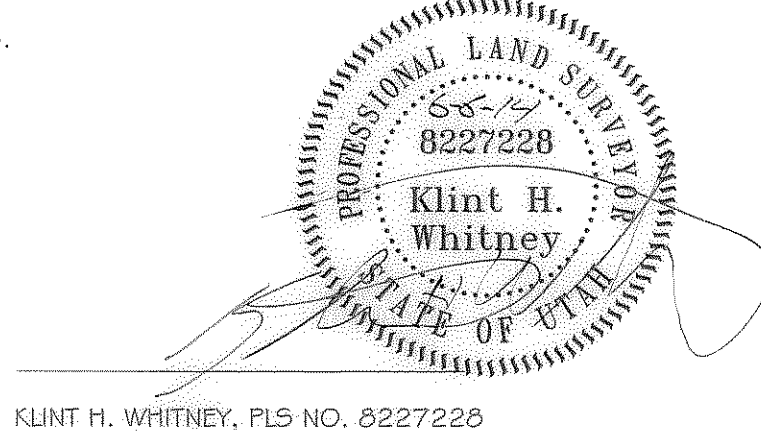


- WEBER COUNTY MONUMENT AS NOTED
- WATER LINE PI
- WATER LINE
- SECTION LINE
- WATER VALVE
- IRRIGATION CONTROL BOX

SURVEYOR'S CERTIFICATE

I, KLINT H. WHITNEY, DO HEREBY CERTIFY THAT I AM A LICENSED PROFESSIONAL LAND SURVEYOR IN THE STATE OF UTAH AND THAT I HOLD CERTIFICATE NO. 8227228 IN ACCORDANCE WITH TITLE 58, CHAPTER 22, OF THE PROFESSIONAL ENGINEERS AND LAND SURVEYORS ACT; I FURTHER CERTIFY THAT BY AUTHORITY OF THE OWNERS I HAVE COMPLETED A SURVEY OF THE PROPERTY DESCRIBED ON THIS RECORD OF SURVEY PLAT IN ACCORDANCE WITH SECTION 17-23-17 AND HAVE VERIFIED ALL MEASUREMENTS; THAT THE REFERENCE MONUMENTS SHOWN ON THIS RECORD OF SURVEY PLAT ARE LOCATED AS INDICATED AND ARE SUFFICIENT TO RETRACE OR REESTABLISH THIS SURVEY; AND THAT THE INFORMATION SHOWN HEREIN IS SUFFICIENT TO ACCURATELY ESTABLISH THE LATERAL BOUNDARIES OF THE HEREIN DESCRIBED TRACT OF REAL PROPERTY.

SIGNED THIS 5TH DAY OF JUNE, 2014.



KLINT H. WHITNEY, PLS NO. 8227228

SCALE	1"=40'
DATE	6/6/14
DESIGN	
DRAWN	KHW
CHECKED	KHW

RECORD OF SURVEY FOR LIBERTY IRRIGATION CO.
LIBERTY, WEBER COUNTY, UTAH
LOCATED IN THE NORTHEAST QUARTER OF SECTION 20,
TOWNSHIP 7 NORTH, RANGE 1 EAST, S.L.B. AND M.

GARDNER ENGINEERING
CIVIL - LAND PLANNING
MUNICIPAL - LAND SURVEYING

