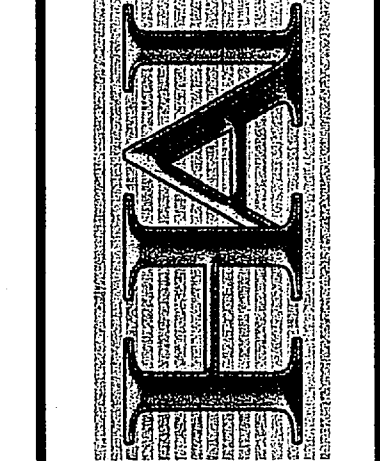


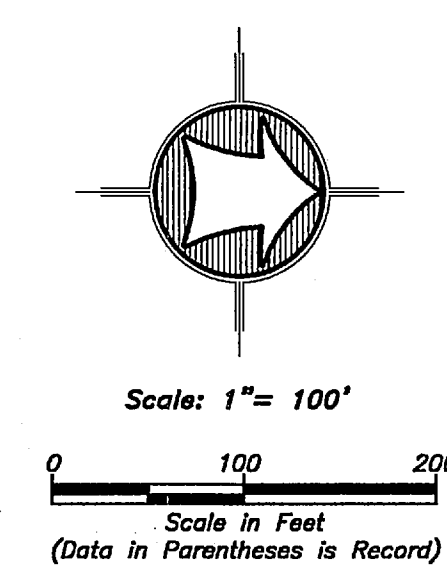
Drawn By: <i>Kath</i>	Date: 10/08/15
Designed By:	
Checked By:	
Approved By:	
Scale: 1" = 100'	
Drawing File: 15-3-180v15	
JOB NUMBER: 15-3-3-180	

Property Survey for	
Monastery of our Lady of the Holy Trinity	
8900 East and 1300 South Huntsville, Weber County, Utah	
A PART OF THE SOUTHWEST QUARTER OF SECTION 21, TOWNSHIP 6 NORTH, RANGE 2 EAST OF THE SALT LAKE BASE AND MERIDIAN.	
Sheet	1
of	1
Sheets	

HANSEN & ASSOCIATES, INC.
Consulting Engineers and Land Surveyors
538 North Main Street, Brigham, Utah 84302
Visit us at www.hansen.net
Logan Ogden
(435) 723-3491 (601) 399-4905 (435) 725-8272



RECEIVED
JAN 15 2016
By 5405



SURVEYOR'S CERTIFICATE

I, K. Greg Hansen, do hereby certify that I am a Registered Professional Land Surveyor in the State of Utah in accordance with Title 55, Chapter 22, Professional Engineers and Land Surveyors Act; and by the Authority of the Owners, I have Completed a Survey of the Property Described and shown hereon this Plat in accordance with Section 17-23-17 and have Verified all Measurements, and that the same has been Surveyed and Monuments have been Located and/or Placed on the Grounds and Represented on the Plat Hereon.

Signed this 15th day of October 2015

K. Greg Hansen PLS
Utah Land Surveyor License No. 167819