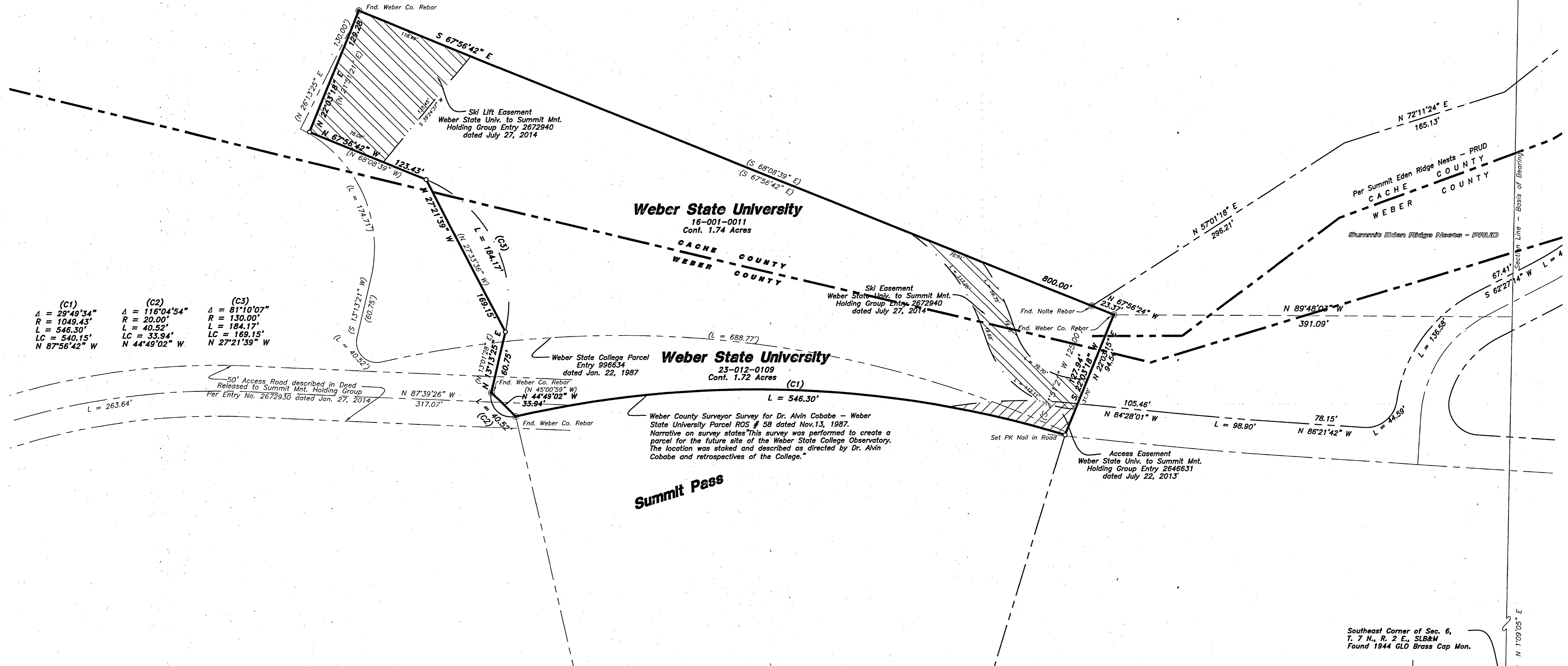


0989
 11/12/10
 11/12/10

East Quarter Corner of Sec. 6,
 T. 7 N., R. 2 E., SLB&M
 Found 1944 GLO Brass Cap Mon.



(C1)	(C2)	(C3)
$\Delta = 29^{\circ}49'34''$	$\Delta = 116^{\circ}04'54''$	$\Delta = 81^{\circ}10'07''$
$R = 1049.43'$	$R = 20.00'$	$R = 130.00'$
$L = 546.30'$	$L = 40.52'$	$L = 184.17'$
$LC = 540.15'$	$LC = 33.94'$	$LC = 169.15'$
$N 87^{\circ}56'42'' W$	$N 44^{\circ}49'02'' W$	$N 27^{\circ}21'39'' W$

DESCRIPTION FROM WEBER COUNTY SURVEYOR'S SURVEY DATED NOVEMBER 13, 1987

BEGINNING AT A POINT THAT IS NORTH 00°57'08" EAST ALONG THE SECTION LINE 1457.55 FEET AND WEST 391.09 FEET FROM THE SOUTHEAST CORNER OF SECTION 6, TOWNSHIP 7 NORTH, RANGE 2 EAST, SALT LAKE BASE AND MERIDIAN;
 THENCE SOUTH 21°51'21" WEST 127.94 FEET TO A POINT ON THE ARC OF A 1049.43 FOOT RADIUS CURVE, THE CENTER OF WHICH BEARS SOUTH 16°46'08" WEST; THENCE WESTERLY ALONG THE ARC OF SAID CURVE TO THE LEFT THROUGH A CENTRAL ANGLE OF 29°49'34" A DISTANCE OF 546.30 FEET TO A POINT OF REVERSE CURVE, THE BEARING BETWEEN CURVE CENTERS BEING NORTH 13°03'26" WEST; THENCE WESTERLY AND NORTHERLY ALONG THE ARC OF A 20-FOOT RADIUS CURVE TO THE RIGHT THROUGH A CENTRAL ANGLE OF 116°04'54" A DISTANCE OF 40.52 FEET; HENCE NORTH 13°01'28" EAST 60.75 FEET TO A POINT ON THE ARC OF A 130-FOOT RADIUS CURVE, THE CENTER OF WHICH BEARS NORTH 76°58'32" WEST; THENCE NORTHWESTERLY ALONG THE ARC OF SAID CURVE TO THE LEFT THROUGH A CENTRAL ANGLE OF 81°10'07" A DISTANCE OF 184.17 FEET; THENCE NORTH 68°08'39" WEST 123.43 FEET; THENCE NORTH 21°51'21" EAST 129.28 FEET; THENCE SOUTH 68°08'39" EAST 800.00 FEET TO THE POINT OF BEGINNING. PARCEL CONTAINS 3.46 ACRES.

DESCRIPTION FROM ALVIN F. COBABE TO WEBER STATE COLLEGE

PART OF SECTION 6, TOWNSHIP 7 NORTH, RANGE 2 EAST, SALT LAKE BASE AND MERIDIAN.
 BEGINNING AT A POINT LOCATED S 00°00'00" E 3944.84 FEET AND N 90°00'00" E 3822.59 FEET FROM THE NORTHWEST CORNER OF SECTION 6, T. 7 N., R. 2 E., S.L.B.&M., RUNNING THENCE SOUTH 88°08'39" EAST 800.00 FEET, THENCE S 21°51'21" W 125.00 FEET, THENCE LEFT ALONG THE ARC OF A 1049.43 FOOT RADIUS CURVE A DISTANCE OF 688.76 FEET (CHORD BEARS N 84°15'20" W 676.47 FEET), THENCE RIGHT ALONG THE ARC OF A 20.00 FOOT RADIUS CURVE A DISTANCE OF 40.52 FEET (CHORD BEARS N 45°00'59" W 33.94 FEET), THENCE N 13°01'28" EAST 60.75 FEET, THENCE LEFT ALONG THE ARC OF A 130.00 FOOT RADIUS CURVE A DISTANCE OF 174.71 FEET (CHORD BEARS N 25°28'32" W 161.85 FEET), THENCE N 26°01'28" E 130.00 FEET TO THE POINT OF BEGINNING. CONTAINS 3.38 ACRES.

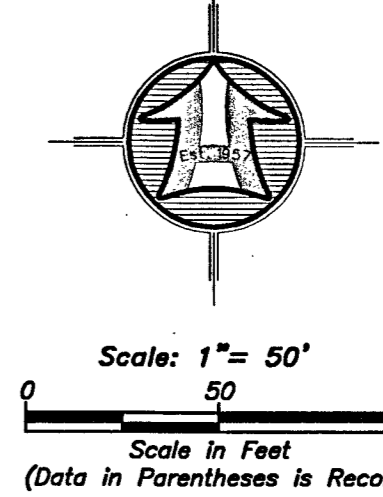
TOGETHER WITH A RIGHT OF WAY OVER EXISTING ROADS TO THE ABOVE DESCRIBED PROPERTY, ALSO, TOGETHER WITH A RIGHT OF WAY OVER THE PRIVATE ROAD AT POWDER MOUNTAIN SKI RESORT AS RECORDED IN BOOK 24, PAGES 80-82, WEBER COUNTY PLATS, ENTRY NO. 868457, AND 25.00 FEET EITHER SIDE OF THE FOLLOWING DESCRIBED CENTERLINE: BEGINNING AT A POINT ON THE NORTHERLY LINE OF THE ABOVE DESCRIBED PRIVATE ROAD, SAID POINT BEING NORTH 00°57'08" EAST ALONG THE SECTION LINE 1216.92 FEET AND WEST 2186.87 FEET FROM THE SOUTHEAST CORNER OF SAID SECTION 6; THENCE NORTH 87°33'51" EAST 234.12 FEET TO A POINT ON THE ARC OF A 900.00 FOOT RADIUS CURVE, THE CENTER OF WHICH BEARS NORTH 02°26'09" WEST; THENCE NORTHEASTERLY ALONG THE ARC OF SAID CURVE TO THE LEFT, THROUGH A CENTRAL ANGLE OF 17°00" A DISTANCE OF 267.04 FEET; THENCE NORTH 70°33'51" EAST 185.00 FEET TO A POINT ON THE ARC OF A 700.00 FOOT RADIUS CURVE, THE CENTER OF WHICH BEARS NORTH 19°26'09" WEST; THENCE NORTHEASTERLY ALONG THE ARC OF SAID CURVE TO THE LEFT, THROUGH A CENTRAL ANGLE OF 21°34'46" A DISTANCE OF 263.64 FEET; THENCE NORTH 21°51'21" EAST 317.07 FEET

LEGEND

	Weber State College Entry No. 1128104
	Weber County Surveyor Survey dated Nov. 13, 1987
	Adjoining Property Line
	Weber State College Parcel Entry 996634
	Centerline
	Ditch
	Field Separation Line
	Fence Line (Wire)
	Fence Line (wood or Vinyl)
	Street Monument
	Found rebar set by others
	Set 5/8"x24" Rebar With Cap
	Section Corner

Narrative
 The purpose of this survey was to establish and set the property corners of the parcel as shown and described hereon. The survey was ordered by Craig Sears for Weber State University. This parcel of ground was deeded to Weber State College by Quit Claim dated Jan. 22, 1987 per Entry No. 996634. That parcel is shown hereon and labeled accordingly. On November 13, 1987, The Weber County Surveyors Office surveyed a different configuration on the ground under the direction of Dr. Alvin Cobabe and representatives of the Weber State College for an Observatory. On Dec 31, 1990, Alvin F. Cobabe once again Quit Claims a description to Weber State College that represents the survey that the Weber Co. Surveyor did with the exception that the 2 curves after the first curve in the description are left out and the long chord of those curves are what are in the Quit Claim Description. The property on the Weber Co. side is subject to an "Easement Agreement for Road Construction and Slope Maintenance", filed as Entry No. 2672933. The parcel of ground is bisected by the Weber County - Cache County Boundary Line. The control used to establish the property corners was the existing Weber County Survey Monumentation surrounding Section 6, 17N, R2E, SLB&M. The basis of bearing is the East line of the southeast quarter of said Section which bears North 01°09'05" East, Utah North, State Plane, Calculated N.A.D.83 Bearing.

Southeast Corner of Sec. 6,
 T. 7 N., R. 2 E., SLB&M
 Found 1944 GLO Brass Cap Mon.

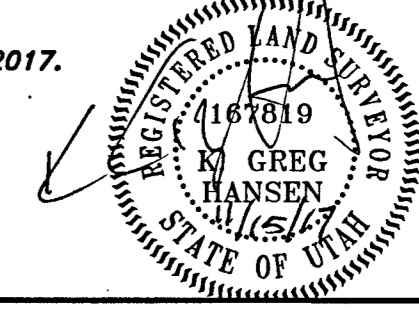


SURVEYOR'S CERTIFICATE

I, K. Greg Hansen, do hereby certify that I am a Registered Professional Land Surveyor in the State of Utah in accordance with Title 58, Chapter 22, Professional Engineers and Professional Land Surveyors Act; and by the authority of the owners, I have completed a survey of the property described and shown hereon this plat in accordance with Section 17-23-17 and have verified all measurements, and that the same has been surveyed and monuments have been located and/or Placed on the ground as represented on the plat hereon.

Signed this 15th day of November, 2017.

K. Greg Hansen PLS
 Utah Land Surveyor Licence No. 167819



Drawn By: <u> </u> Date: <u>10/19/17</u> Designed By: <u> </u> Checked By: <u> </u> Approved By: <u> </u> Scale: <u>1" = 50'</u> Drawing File: <u>17-3-2017-15</u> JOB NUMBER: <u>17-3-207</u>	Property Survey for Weber State University Powder Mountain, Weber County, Utah City, Box Elder County, Utah A Part of the Southeast Quarter of Section 6, Township 7 North, Range 2 East, S.L.B.&M.
Sheet 1 of 1 Sheets	No. _____ Date _____ By _____