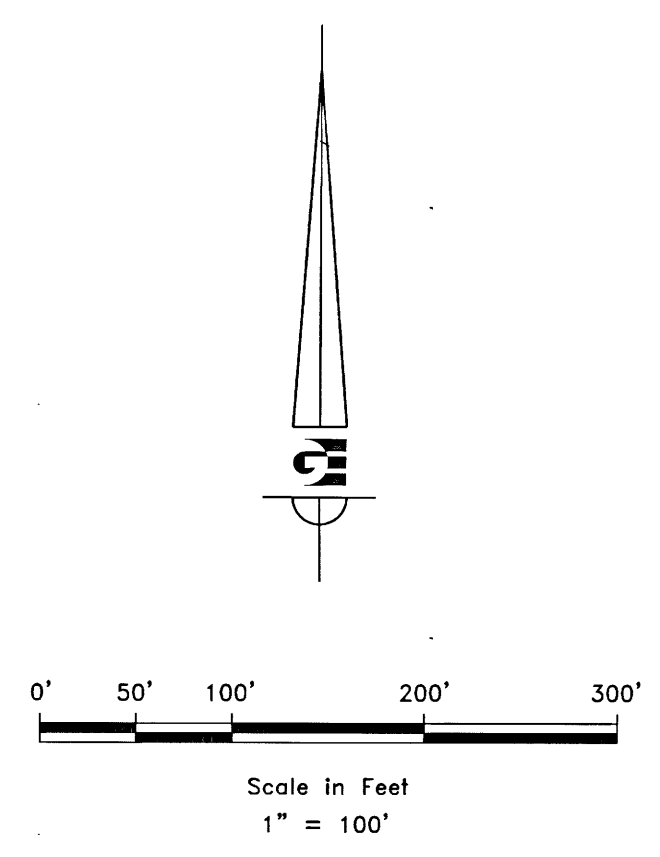


- LEGEND**
- ◆ WEBER COUNTY MONUMENT AS NOTED
 - SET 24" REBAR AND CAP MARKED GARDNER ENGINEERING
 - ADJUSTED BOUNDARY LINE
 - - - ADJACENT PARCEL
 - SECTION LINE
 - - - EXISTING FENCE LINE
 - ▭ EXISTING BUILDING



**RECORD BOUNDARY DESCRIPTION
PARCEL 150110024**

PART OF THE SOUTHEAST QUARTER OF SECTION 4, TOWNSHIP 6 NORTH, RANGE 2 WEST, SALT LAKE BASE AND MERIDIAN: BEGINNING AT A POINT LOCATED NORTH 1°10'26" WEST 282.92 FEET ALONG THE SECTION LINE AND NORTH 89°51'36" WEST 1126.43 FEET FROM THE SOUTHEAST CORNER OF SECTION 4, TOWNSHIP 6 NORTH, RANGE 2 WEST, SALT LAKE BASE AND MERIDIAN, THENCE NORTH 1°35'09" WEST 1178.20 FEET TO THE SOUTHERLY RIGHT OF WAY LINE OF THE COUNTY ROAD, THENCE NORTH 72°45'02" WEST 237.73 FEET ALONG SAID SOUTHERLY RIGHT OF WAY LINE, THENCE SOUTH 1°35'09" EAST 1055.25 FEET, THENCE SOUTH 49°59'41" EAST 300.84 FEET TO THE POINT OF BEGINNING.

**ADJUSTED BOUNDARY DESCRIPTION
PARCEL 150110024**

A PART OF THE SOUTHEAST QUARTER OF SECTION 4, TOWNSHIP 6 NORTH, RANGE 2 WEST OF THE SALT LAKE BASE AND MERIDIAN, MORE PARTICULARLY DESCRIBED AS FOLLOWS: BEGINNING AT A POINT ON THE NORTHEASTERLY BOUNDARY OF LOT 9, RIVERSIDE ESTATES SUBDIVISION, BEING LOCATED NORTH 88°44'49" WEST 1126.74 FEET ALONG THE SOUTH LINE OF SAID SOUTHEAST QUARTER AND NORTH 0°00'00" EAST 282.93 FEET FROM THE SOUTHEAST CORNER OF SAID SECTION; RUNNING THENCE ALONG THE NORTHERLY BOUNDARY OF SAID LOT 9, ALONG AN EXISTING FENCE LINE NORTH 48°57'18" WEST 300.84 FEET TO AN EXISTING FENCE POST; THENCE CONTINUING ALONG SAID NORTHERLY BOUNDARY AND EXISTING FENCE LINE NORTH 87°37'29" WEST 226.06 FEET TO AN EXISTING FENCE POST; THENCE ALONG AN EXISTING FENCE LINE NORTH 0°20'58" WEST 850.98 FEET, THENCE SOUTH 84°00'49" EAST 228.93 FEET TO AN EXISTING FENCE LINE; THENCE ALONG SAID EXISTING FENCE LINE NORTH 0°22'02" WEST 220.45 FEET TO THE SOUTHERLY RIGHT-OF-WAY LINE OF PIONEER ROAD; THENCE ALONG SAID RIGHT-OF-WAY LINE SOUTH 71°20'46" EAST 240.39 FEET TO AN EXISTING FENCE LINE; THENCE ALONG SAID FENCE LINE SOUTH 0°22'02" EAST 220.45 FEET, THENCE NORTH 84°00'49" WEST 228.93 FEET TO THE POINT OF BEGINNING. CONTAINING 439,957 SQ. FT. OR 10.01 AC, MORE OR LESS.

**RECORD BOUNDARY DESCRIPTION
PARCEL 150110022**

PART OF THE SOUTHEAST QUARTER OF SECTION 4, TOWNSHIP 6 NORTH, RANGE 2 WEST, SALT LAKE BASE AND MERIDIAN, U.S. SURVEY: BEGINNING AT A POINT LOCATED NORTH 1°10'26" WEST 475.80 FEET ALONG THE SECTION LINE AND NORTH 89°51'36" WEST 1352.92 FEET FROM THE SOUTHEAST CORNER OF SAID QUARTER SECTION, RUNNING THENCE NORTH 1°35'09" WEST 1055.25 FEET TO THE SOUTHERLY RIGHT OF WAY LINE OF THE COUNTY ROAD, THENCE NORTH 72°45'02" WEST 237.73 FEET ALONG SAID SOUTHERLY RIGHT OF WAY LINE; THENCE SOUTH 1°35'09" EAST 1120.80 FEET, THENCE SOUTH 88°44'12" EAST 225.28 FEET TO THE POINT OF BEGINNING.

**ADJUSTED BOUNDARY DESCRIPTION
PARCEL 150110022**

A PART OF THE SOUTHEAST QUARTER OF SECTION 4, TOWNSHIP 6 NORTH, RANGE 2 WEST OF THE SALT LAKE BASE AND MERIDIAN, MORE PARTICULARLY DESCRIBED AS FOLLOWS: BEGINNING AT A POINT BEING LOCATED NORTH 48°57'18" WEST 300.84 FEET AND NORTH 87°37'29" WEST 226.06 FEET AND NORTH 0°20'58" WEST 850.98 FEET FROM THE SOUTHEAST CORNER OF SAID SECTION; RUNNING THENCE ALONG AN EXISTING FENCE LINE NORTH 0°43'48" WEST 273.69 FEET TO THE SOUTHERLY RIGHT-OF-WAY LINE OF PIONEER ROAD; THENCE ALONG SAID RIGHT-OF-WAY LINE SOUTH 71°20'46" EAST 240.39 FEET TO AN EXISTING FENCE LINE; THENCE ALONG SAID FENCE LINE SOUTH 0°22'02" EAST 220.45 FEET, THENCE NORTH 84°00'49" WEST 228.93 FEET TO THE POINT OF BEGINNING. CONTAINING 55,891 SQ. FT. OR 1.28 AC, MORE OR LESS.

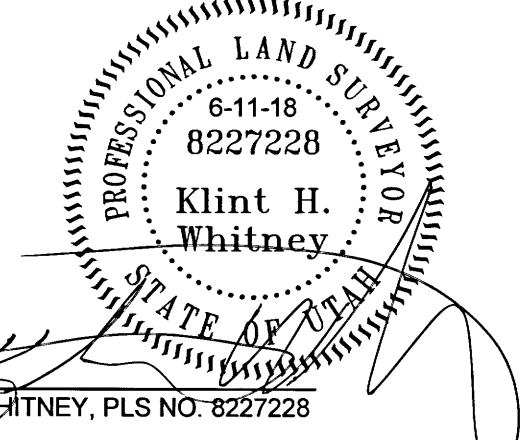
NARRATIVE

THE PURPOSE OF THE SURVEY WAS TO ADJUST THE BOUNDARIES OF THE PARCELS AS SHOWN AND NOTED HEREON. THE SURVEY WAS ORDERED BY BROCK MCCORMICK, CURRENT VESTING DEED RECORDED AS ENTRY #2579197 WAS USED TO ESTABLISH THE BOUNDARY. THE SOUTHERLY RIGHT-OF-WAY OF PIONEER ROAD WAS ESTABLISHED BY HONORING THE PROJECTION AS ESTABLISHED ON THE RIVERSIDE ESTATES SUBDIVISION PLAT. THE CONTROL USED TO ESTABLISH THE BOUNDARY WAS THE EXISTING WEBER COUNTY SURVEY MONUMENTATION AS SHOWN AND NOTED HEREON. THE BASIS OF BEARING IS THE EAST LINE OF THE SOUTHEAST QUARTER OF SECTION 27, TOWNSHIP 7 NORTH, RANGE 1 EAST, OF THE SALT LAKE BASE AND MERIDIAN WHICH BEARS SOUTH 0°22'02" WEST WEBER COUNTY GRID BEARING.

SURVEYOR'S CERTIFICATE

I, KLINT H. WHITNEY, DO HEREBY CERTIFY THAT I AM A LICENSED PROFESSIONAL LAND SURVEYOR IN THE STATE OF UTAH AND THAT I HOLD CERTIFICATE NO. 8227228 IN ACCORDANCE WITH TITLE 58, CHAPTER 22, OF THE PROFESSIONAL ENGINEERS AND LAND SURVEYORS ACT. I FURTHER CERTIFY THAT BY AUTHORITY OF THE OWNERS I HAVE COMPLETED A SURVEY OF THE PROPERTY DESCRIBED ON THIS RECORD OF SURVEY PLAT IN ACCORDANCE WITH SECTION 17-23-20 AND HAVE VERIFIED ALL MEASUREMENTS; THAT THE REFERENCE MONUMENTS SHOWN ON THIS RECORD OF SURVEY PLAT ARE LOCATED AS INDICATED AND ARE SUFFICIENT TO RETRACE OR REESTABLISH THIS SURVEY; AND THAT THE INFORMATION SHOWN HEREIN IS SUFFICIENT TO ACCURATELY ESTABLISH THE LATERAL BOUNDARIES OF THE HEREIN DESCRIBED TRACT OF REAL PROPERTY.

SIGNED THIS 25TH DAY OF JUNE, 2018.



SCALE: 1:100 XREF:	DATE: 3/20/18	BEGIN: SGP	DRAWN: SGP	CHECKED: KHW
REVISIONS	DESCRIPTION			
DATE				

BY: 6044
JUN 28 2018

BOUNDARY ADJUSTMENT SURVEY
BROCK MCCORMICK - PARCELS 150110024 & 150110022
LOCATED IN THE SOUTHEAST QUARTER OF SECTION 4,
TOWNSHIP 6 NORTH, RANGE 2 WEST, S.L.B. AND M.

GARDNER ENGINEERING
CIVIL - LAND PLANNING
MUNICIPAL - LAND SURVEYING
5150 SOUTH 400 WEST, SUITE 200, SALT LAKE CITY, UT 84119
OFFICE: 801-487-0202 FAX: 801-487-0066

S1
1