

**ORIGINAL BOUNDARY DESCRIPTION
PARCEL 220210027**

PART OF THE NORTHWEST QUARTER OF SECTION 27, TOWNSHIP 7 NORTH, RANGE 1 EAST, SALT LAKE BASE AND MERIDIAN, U.S. SURVEY; BEGINNING AT A POINT SOUTH 726 FEET ALONG THE QUARTER SECTION LINE SOUTH 70D39' WEST 140 FEET FROM THE NORTH QUARTER CORNER OF SAID SECTION 27, AND RUNNING THENCE SOUTH 70D39' WEST 572.85 FEET; THENCE SOUTH 1D52'43" WEST 182.67 FEET; THENCE SOUTH 62D30' WEST 72.25 FEET TO THE CENTER OF THE COUNTY ROAD; THENCE SOUTH 41D14' EAST ALONG THE CENTER OF SAID COUNTY ROAD 484.40 FEET; THENCE NORTH 66D15' EAST 452.05 FEET TO THE QUARTER SECTION LINE; THENCE NORTH ALONG SAID QUARTER SECTION LINE 316.8 FEET; THENCE SOUTH 88D21'10" WEST 131.82 FEET; THENCE NORTH 00D23'46" EAST 31.69 FEET; THENCE NORTH PARALLEL TO THE QUARTER SECTION LINE 250 FEET TO THE POINT OF BEGINNING.

**ADJUSTED BOUNDARY DESCRIPTION
PARCEL 220210027**

A PART OF THE NORTHWEST QUARTER OF SECTION 27, TOWNSHIP 7 NORTH, RANGE 1 EAST OF THE SALT LAKE BASE AND MERIDIAN, MORE PARTICULARLY DESCRIBED AS FOLLOWS: BEGINNING AT A POINT BEING LOCATED SOUTH 0°16'56" WEST 727.29 FEET ALONG THE EAST LINE OF SAID NORTHWEST QUARTER AND SOUTH 71°23'57" WEST 138.23 FEET FROM THE NORTH QUARTER CORNER OF SAID SECTION; RUNNING THENCE SOUTH 0°02'40" WEST 283.19 FEET; THENCE NORTH 88°21'10" EAST 129.68 FEET TO THE EAST LINE OF SAID NORTHWEST QUARTER; THENCE ALONG SAID EAST LINE SOUTH 0°16'56" WEST 318.29 FEET; THENCE SOUTH 66°15'00" WEST 439.32 FEET; THENCE NORTH 41°14'00" WEST 397.58 FEET; THENCE NORTH 58°50'29" EAST 130.28 FEET; THENCE NORTH 21°23'53" WEST 251.81 FEET; THENCE NORTH 71°24'23" EAST 545.17 FEET TO THE POINT OF BEGINNING. CONTAINING 336,579 SQ. FT., MORE OR LESS.

**ORIGINAL BOUNDARY DESCRIPTION
PARCEL 220210026**

PART OF THE NORTHWEST QUARTER OF SECTION 27, TOWNSHIP 7 NORTH, RANGE 1 EAST, SALT LAKE BASE AND MERIDIAN, U.S. SURVEY; BEGINNING AT A POINT ON THE CENTER LINE OF THE COUNTY ROAD, SAID POINT BEING SOUTH 726 FEET ALONG THE QUARTER SECTION LINE, AND SOUTH 70D39' WEST 911.03 FEET FROM THE NORTHEAST CORNER OF SAID NORTHWEST QUARTER, AND RUNNING THENCE SOUTH 37D53' EAST ALONG SAID CENTER LINE 190.40 FEET; THENCE NORTH 62D30' EAST 72.25 FEET; THENCE NORTH 1D52'43" EAST 182.67 FEET; THENCE SOUTH 70D39' WEST 198.18 FEET TO THE POINT OF BEGINNING.

**ADJUSTED BOUNDARY DESCRIPTION
PARCEL 220210026**

A PART OF THE NORTHWEST QUARTER OF SECTION 27, TOWNSHIP 7 NORTH, RANGE 1 EAST OF THE SALT LAKE BASE AND MERIDIAN, MORE PARTICULARLY DESCRIBED AS FOLLOWS: BEGINNING AT A POINT BEING LOCATED SOUTH 0°16'56" WEST 727.29 FEET ALONG THE EAST LINE OF SAID NORTHWEST QUARTER AND SOUTH 71°23'57" WEST 138.23 FEET AND SOUTH 71°24'23" WEST 545.17 FEET FROM THE NORTH QUARTER CORNER OF SAID SECTION; RUNNING THENCE SOUTH 21°23'53" WEST 251.81 FEET; THENCE SOUTH 58°50'29" WEST 130.28 FEET; THENCE NORTH 41°14'00" WEST 106.98 FEET; THENCE NORTH 37°53'00" WEST 191.89 FEET; THENCE NORTH 71°24'23" EAST 219.41 FEET TO THE POINT OF BEGINNING. CONTAINING 47,467 SQ. FT., MORE OR LESS.

SCALE: 1" = 50'

DATE: 6/18/18

DESIGN: _____

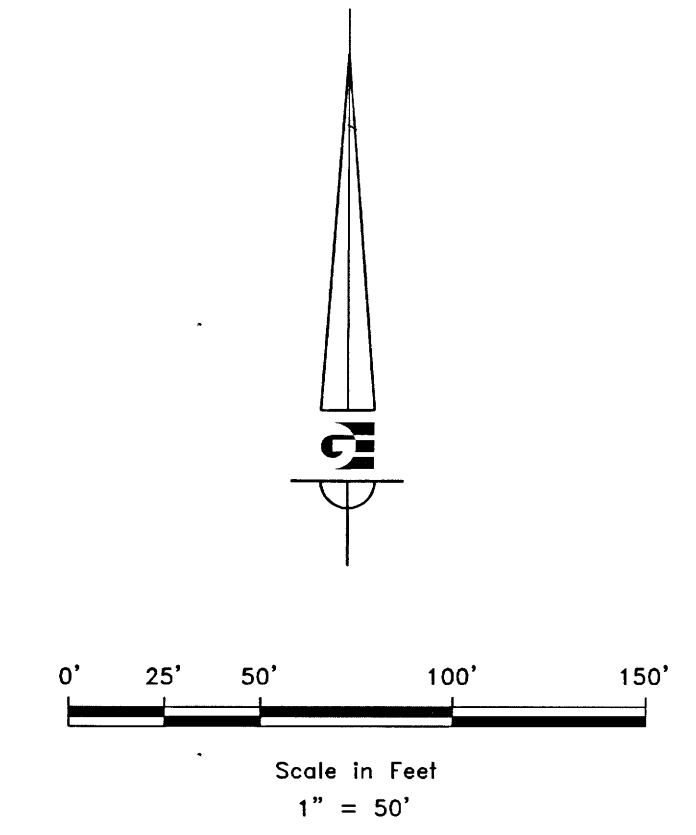
DRAWN: KHW

CHECKED: KHW

DWG. NO.: 220210027

BY: 6054

BOUNDARY ADJUSTMENT SURVEY FOR MIKE GREENWOOD
3202 N 5100 E EDEN, UTAH
LOCATED IN THE NORTHWEST QUARTER OF SECTION 27,
TOWNSHIP 7 NORTH, RANGE 1 EAST, S.L.B. AND M.



- LEGEND**
- ◆ WEBER COUNTY MONUMENT AS NOTED
 - SET 24" REBAR AND CAP MARKED GARDNER ENGINEERING
 - SUBDIVISION BOUNDARY
 - - - ADJACENT PARCEL
 - SECTION LINE
 - - - EASEMENT
 - - - EXISTING FENCE LINE

NARRATIVE

THE PURPOSE OF THE SURVEY WAS TO ADJUST THE BOUNDARIES OF THE PARCELS AS SHOWN AND NOTED HEREON. THE SURVEY WAS ORDERED BY MIKE GREENWOOD. THE CONTROL USED TO ESTABLISH THE BOUNDARY WAS THE EXISTING WEBER COUNTY SURVEY MONUMENTATION AS SHOWN AND NOTED HEREON. THE BASIS OF BEARING IS THE NORTH LINE OF THE NORTHWEST QUARTER OF SECTION 27, TOWNSHIP 7 NORTH, RANGE 1 EAST, OF THE SALT LAKE BASE AND MERIDIAN WHICH BEARS SOUTH 89°07'33" EAST WEST WEBER COUNTY, UTAH NORTH, NAD83, STATE PLANE GRID BEARING.

SURVEYOR'S CERTIFICATE

I, KLINT H. WHITNEY, DO HEREBY CERTIFY THAT I AM A LICENSED PROFESSIONAL LAND SURVEYOR IN THE STATE OF UTAH AND THAT I HOLD CERTIFICATE NO. 8227228 IN ACCORDANCE WITH TITLE 58, CHAPTER 22, OF THE PROFESSIONAL ENGINEERS AND LAND SURVEYORS ACT; I FURTHER CERTIFY THAT BY AUTHORITY OF THE OWNERS I HAVE COMPLETED A SURVEY OF THE PROPERTY DESCRIBED ON THIS RECORD OF SURVEY PLAT IN ACCORDANCE WITH SECTION 17-23-20 AND HAVE VERIFIED ALL MEASUREMENTS; THAT THE REFERENCE MONUMENTS SHOWN ON THIS RECORD OF SURVEY PLAT ARE LOCATED AS INDICATED AND ARE SUFFICIENT TO RETRACE OR REESTABLISH THIS SURVEY; AND THAT THE INFORMATION SHOWN HEREIN IS SUFFICIENT TO ACCURATELY ESTABLISH THE LATERAL BOUNDARIES OF THE HEREIN DESCRIBED TRACT OF REAL PROPERTY.

SIGNED THIS 25TH DAY OF JUNE, 2018.



GARDNER ENGINEERING
CIVIL - LAND PLANNING
MUNICIPAL - LAND SURVEYING
5150 SOUTH 575 EAST OGDEN, UT
OFFICE: 801-426-0202 FAX: 801-426-0066