

NORTHWEST CORNER OF SEC. 29,
T. 7 N., R. 1 W., SLB&M
FOUND WEBER CO. BRASS CAP MONUMENT
1967

SECTION LINE - BASIS OF BEARING
5341.27'

996.94'

S 0°32'06" W

SOUTHWEST CORNER OF SEC. 29,
T. 7 N., R. 1 W., SLB&M
FOUND WEBER CO. BRASS CAP MONUMENT
2004

NARRATIVE

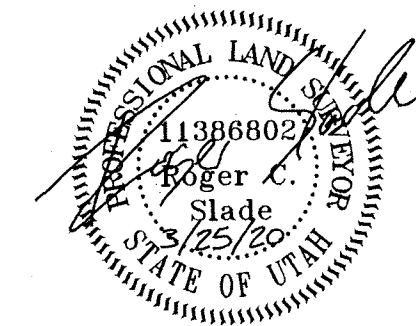
THE PURPOSE OF THIS SURVEY WAS TO ESTABLISH AND SET THE PROPERTY CORNERS OF THE PARCEL AS SHOWN AND DESCRIBED HEREON. THE SURVEY WAS ORDERED BY DARIN LARKIN. THE CONTROL USED TO ESTABLISH THE PROPERTY CORNERS WAS THE EXISTING FENCE LINES AND FOUND MONUMENTS WITHIN TAYLOR ESTATES PLAT II, RECORDED AS ENTRY NO. 575387. THE BASIS OF BEARING IS THE WEST LINE OF SECTION 29, TOWNSHIP 7 NORTH, RANGE 1 WEST, SALT LAKE BASE AND MERIDIAN WHICH BEARS SOUTH 0°32'06" WEST, AN ASSUMED BEARING, ROTATED TO MATCH THE BEARINGS AS SHOWN ON SAID TAYLOR ESTATES PLAT II.

SURVEYOR'S CERTIFICATE

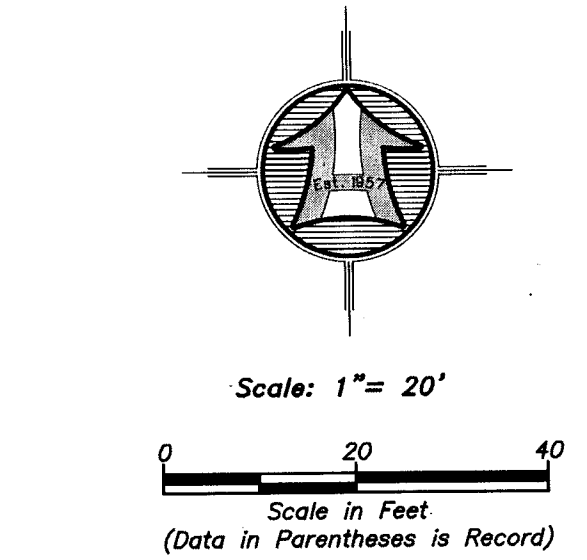
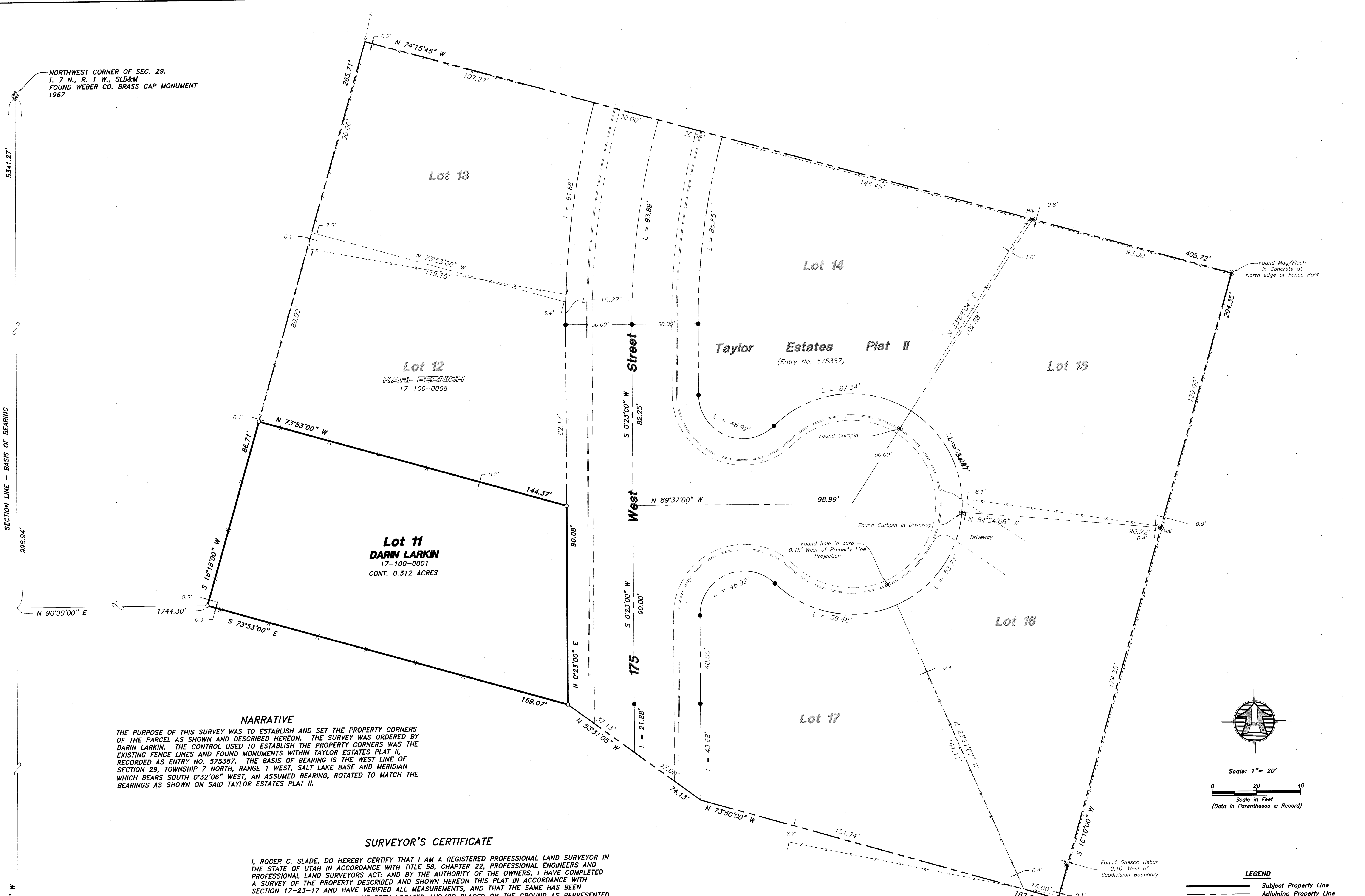
I, ROGER C. SLADE, DO HEREBY CERTIFY THAT I AM A REGISTERED PROFESSIONAL LAND SURVEYOR IN THE STATE OF UTAH IN ACCORDANCE WITH TITLE 58, CHAPTER 22, PROFESSIONAL ENGINEERS AND PROFESSIONAL LAND SURVEYORS ACT, AND BY THE AUTHORITY OF THE OWNERS, I HAVE COMPLETED A SURVEY OF THE PROPERTY DESCRIBED AND SHOWN HEREON THIS PLAT IN ACCORDANCE WITH SECTION 17-23-17 AND HAVE VERIFIED ALL MEASUREMENTS, AND THAT THE SAME HAS BEEN SURVEYED AND MONUMENTS HAVE BEEN LOCATED AND/OR PLACED ON THE GROUND AS REPRESENTED ON THE PLAT HEREON.

SIGNED THIS 25TH DAY OF MARCH, 2020.

ROGER C. SLADE, PLS
UTAH LAND SURVEYOR LICENCE NO. 11386802



BOUNDARY DESCRIPTION
ALL OF LOT 11, TAYLOR ESTATES PLAT II, NORTH OGDEN, WEBER COUNTY, UTAH SURVEY.

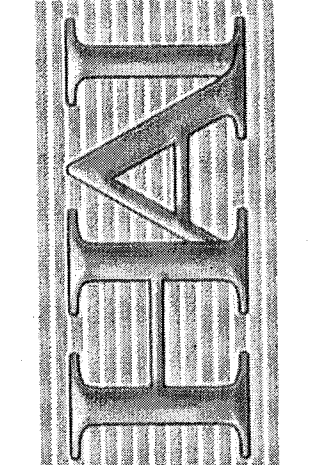


LEGEND

	Subject Property Line
	Adjoining Property Line
	Centerline
	Fence Line
	Street Monument
	Found rebar set by others
	Set 5/8"x24" Rebar With Cap
	Section Corner

RECEIVED
MAY 01 2020
BY: 6494

HANSEN & ASSOCIATES, INC.
Consulting Engineers and Land Surveyors
538 North Main Street, Brigham, Utah 84302
(801) 399-4905
Logan, Utah 84301
(435) 732-8272
www.ha-inc.com



Drawn By: RS
Designed By:
Checked By:
Approved By:
Scale: 1" = 20'
Drawing File: 20-3-49v15.dwg
JOB NUMBER: 20-3-49

PROPERTY SURVEY FOR
DARIN LARKIN
3059 NORTH 175 WEST
NORTH OGDEN, WEBER COUNTY, UTAH
A PART OF THE NORTHWEST QUARTER OF SECTION 29
TOWNSHIP 7 NORTH, RANGE 1 WEST, S.L.B.&M.

Sheet
1
of
1
Sheets