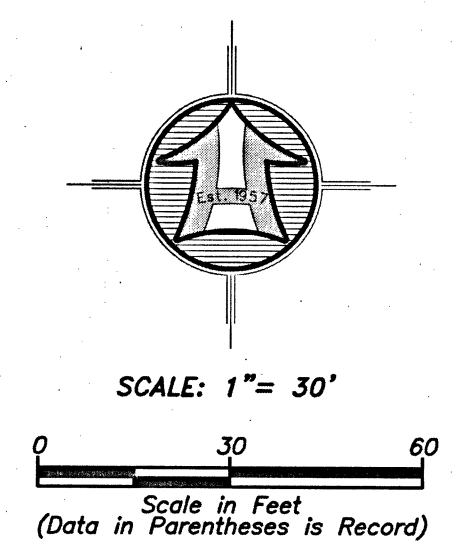


RECEIVED  
AUG 24 2020  
BY: *[Signature]*

TRACT A  
N. OGDEN CITY  
16-131-0024

LOT 22  
*[Signature]*  
16-131-0022

(G1)  
Δ = 53°50'53"  
R = 55.00'  
L = 51.69'  
LC = 49.81'  
N 38°33'36" E



**LEGEND**

	SUBJECT PROPERTY LINE
	ADJOINING PROPERTY LINE
	EXISTING CONCRETE
	CENTERLINE
	FENCE LINE
	STREET MONUMENT
	FOUND SURVEY MARKER
	SET 5/8"x24" REBAR & CAP

**NARRATIVE**

THE PURPOSE OF THIS SURVEY WAS TO ESTABLISH AND SET THE PROPERTY CORNERS OF THE PARCEL AS SHOWN AND DESCRIBED HEREON. THE SURVEY WAS ORDERED BY LINDEE OF BEST REALTY. THE CONTROL USED TO ESTABLISH THE PROPERTY CORNERS WAS THE OFFICIAL PLAT OF NORTH OAKS COVE SUBDIVISION PHASE 1, RECORDED AS ENTRY NO. 1071442 IN THE WEBER COUNTY RECORDER'S OFFICE WHICH FALLS IN HARMONY WITH FOUND CENTERLINE MONUMENTS, SURVEY MARKERS AND FENCE LINES WITHIN SAID SUBDIVISION.

THE BASIS OF BEARING IS THE CENTERLINE OF 3350 NORTH STREET WHICH BEARS NORTH 88°50'23" EAST, AS SHOWN ON THE OFFICIAL PLAT OF SAID NORTH OAKS COVE SUBDIVISION PHASE 1.

**RECORD BOUNDARY DESCRIPTION**

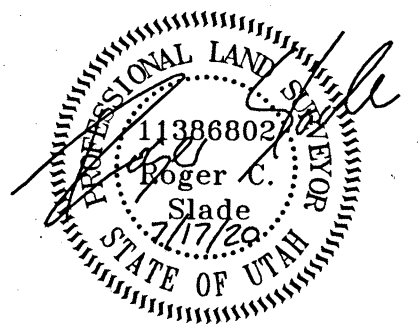
ALL OF LOT 15, NORTH OAKS COVE SUBDIVISION PHASE 1, NORTH OGDEN CITY, WEBER COUNTY, UTAH.

**SURVEYOR'S CERTIFICATE**

I, ROGER C. SLADE, DO HEREBY CERTIFY THAT I AM A REGISTERED PROFESSIONAL LAND SURVEYOR IN THE STATE OF UTAH IN ACCORDANCE WITH TITLE 58, CHAPTER 22, PROFESSIONAL ENGINEERS AND PROFESSIONAL LAND SURVEYORS ACT; AND BY THE AUTHORITY OF THE OWNERS, I HAVE COMPLETED A SURVEY OF THE PROPERTY DESCRIBED AND SHOWN HEREON THIS PLAT IN ACCORDANCE WITH SECTION 17-23-17 AND HAVE VERIFIED ALL MEASUREMENTS, AND THAT THE SAME HAS BEEN SURVEYED AND MONUMENTS HAVE BEEN LOCATED AND/OR PLACED ON THE GROUND AS REPRESENTED ON THE PLAT HEREON.

SIGNED THIS 17TH DAY OF JULY, 2020.

ROGER C. SLADE, PLS  
UTAH LAND SURVEYOR LICENCE NO. 11386802



PROPERTY SURVEY FOR  
**JOSHUA SORENSEN**  
927 EAST 3350 NORTH  
NORTH OGDEN CITY, WEBER CO., UTAH  
A PART OF THE SOUTHEAST QUARTER OF  
SECTION 21, T 7 N., R 1 W., S.L.B.#41.

Drawn By: RS	Date: 07/14/2020
Designed By: jsh	
Checked By:	
Approved By:	
Scale: 1" = 30'	
Drawing File: 20-3-146/19.dwg	
JOB NUMBER: 20-3-146	

**HAI**

**HANSEN & ASSOCIATES, INC.**  
Consulting Engineers and Land Surveyors  
538 North Main Street, Brigham, Utah 84302  
Visit us at www.hai.com  
Brigham City, Utah  
(801) 732-3961 (801) 538-4605 (435) 732-8272  
Celebrating over 60 Years of Business

No.	Date	By	Revision

Sheet  
**1**  
Of  
**1**  
Sheets