

Weber County Vacation Plat

VACATING A PORTION OF SNOW BASIN ROAD

Weber County, Utah

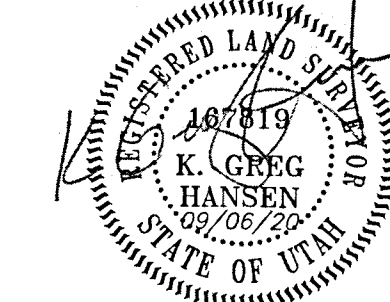
A Part of the Northeast and Southeast Quarter of Section 23,
Township 6 North, Range 1 East, Salt Lake Base & Meridian
June 2020

SURVEYOR'S CERTIFICATE

I, K. Greg Hansen, do hereby certify that I am a Registered Professional Land Surveyor in the State of Utah in Accordance with Title 58, Chapter 22, Professional Engineers and Land Surveyors Act; and by the Authority of the Owners, I have Completed a Survey of the Road Vacation as Described and Shown Hereon in Accordance with Section 17-23-17 and have Verified all Measurements, and have Placed Monuments as Represented on this Plat.

Signed this 6th day of September, 2020.

K. Greg Hansen P.L.S.
Utah Land Surveyor Licence No. 167819



ROAD VACATION PARCEL DESCRIPTIONS VACATED PARCEL TO ALISON CALTON AND STEPHANI ALLRED

A PART OF THE SOUTHEAST QUARTER OF SECTION 23, TOWNSHIP 6 NORTH, RANGE 1 EAST OF THE SALT LAKE BASE AND MERIDIAN.

BEGINNING AT A POINT ON THE NORTHEASTERLY RIGHT-OF-WAY OF SNOW BASIN ROAD LOCATED 439.63 FEET NORTH 89°39'10" WEST FROM THE EAST QUARTER CORNER OF SAID SECTION 23, SAID POINT BEING THE NORTHWEST CORNER OF THE ALISON CALTON AND STEPHANI ALLRED PROPERTY; TAX ID. NO. 20-035-0008;

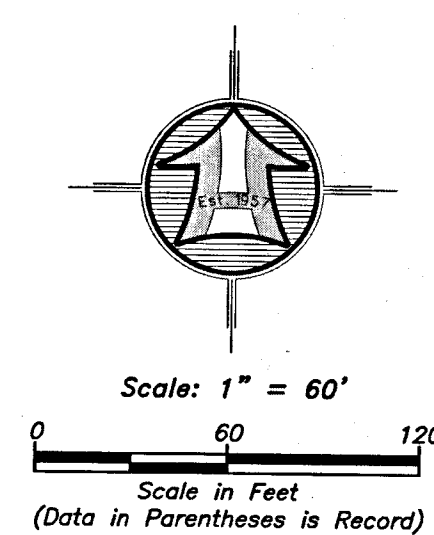
RUNNING THENCE ALONG SAID RIGHT-OF-WAY LINE THE FOLLOWING TWO (2) COURSES:
(1) SOUTHERLY ON A NON-TANGENT CURVE TO THE RIGHT ALONG THE ARC OF A 333.70 FOOT RADIUS CURVE, A DISTANCE OF 484.93 FEET, CHORD BEARS SOUTH 02°50'41" WEST 443.37 FEET, HAVING A CENTRAL ANGLE OF 83°15'42" TO THE SOUTHWEST CORNER OF SAID ALISON CALTON AND STEPHANI ALLRED PROPERTY; AND
(2) NORTH 45°05'32" WEST 137.00 FEET TO A POINT 63.00 FEET PERPENDICULAR TO THE CENTERLINE OF SNOW BASIN ROAD; THENCE ON A LINE PARALLEL TO AND 63.00' PERPENDICULAR TO SAID CENTERLINE NORTHERLY ON A NON-TANGENT CURVE TO THE LEFT ALONG THE ARC OF A 196.70 FOOT RADIUS CURVE, A DISTANCE OF 284.82 FEET, CHORD BEARS NORTH 02°41'46" EAST 260.58 FEET, HAVING A CENTRAL ANGLE OF 82°57'50"; THENCE NORTH 51°12'51" EAST 137.00 FEET TO THE POINT OF BEGINNING. CONTAINING 52,725 SQUARE FEET OR 1.210 ACRES.

VACATED PARCEL TO SAMAREL FAMILY INVESTMENT CO. LLC

A PART OF THE NORTHEAST AND SOUTHEAST QUARTER OF SECTION 23, TOWNSHIP 6 NORTH, RANGE 1 EAST OF THE SALT LAKE BASE AND MERIDIAN.

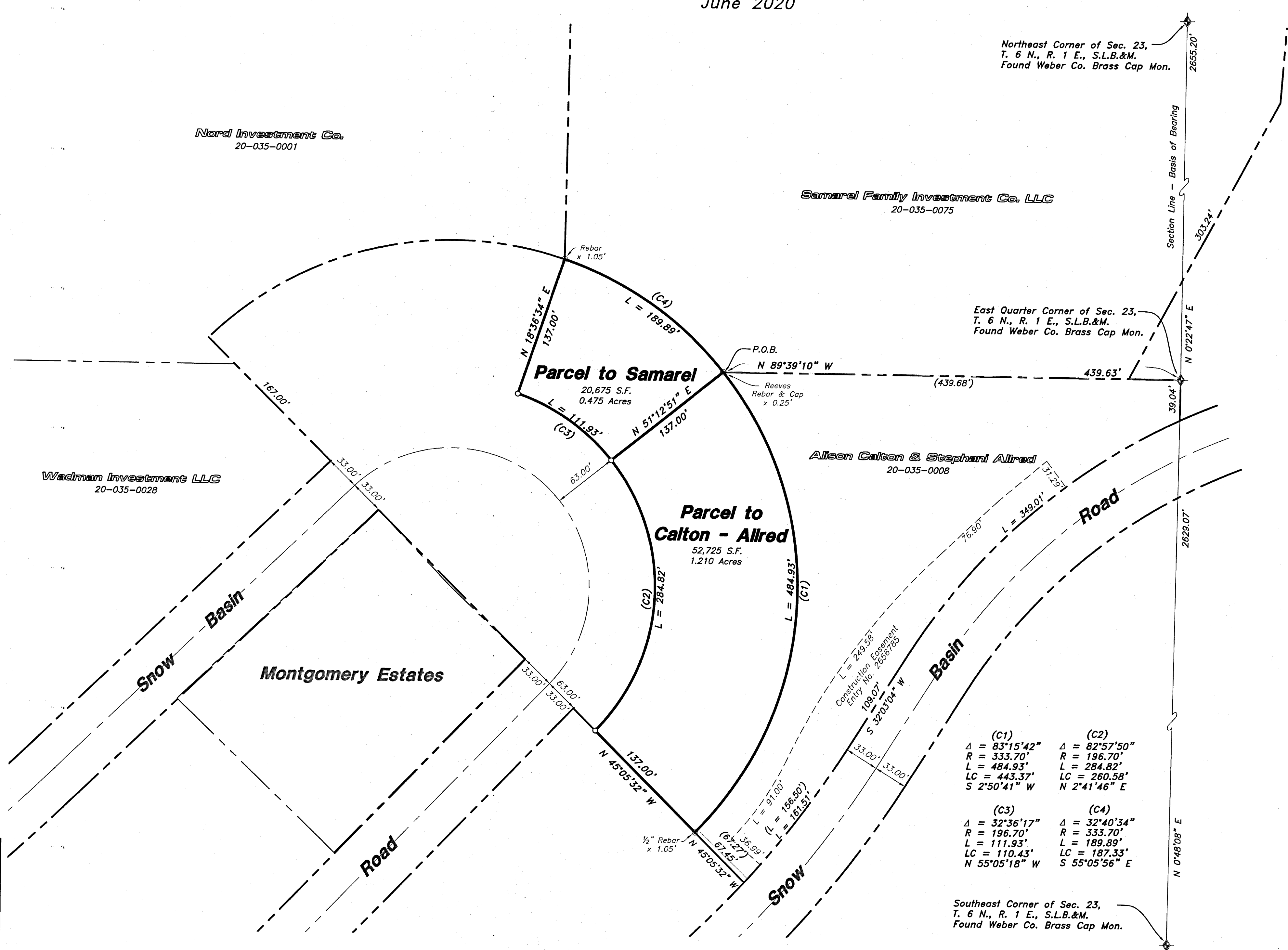
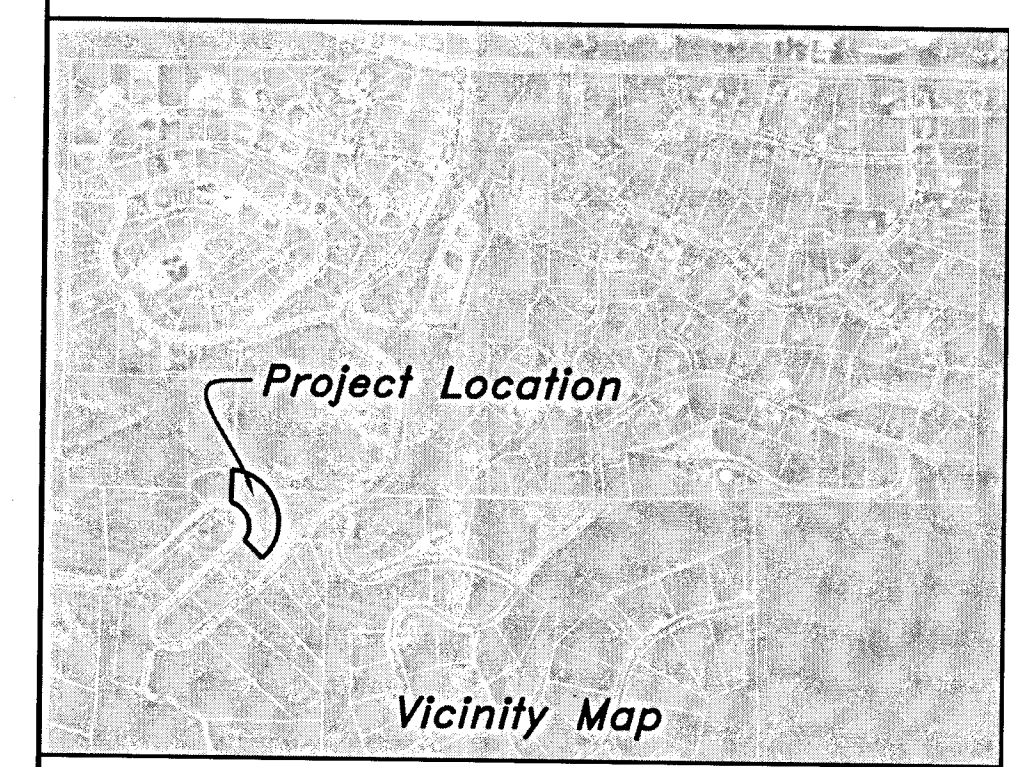
BEGINNING AT A POINT ON THE NORTHEASTERLY RIGHT-OF-WAY OF SNOW BASIN ROAD LOCATED 439.63 FEET NORTH 89°39'10" WEST FROM THE EAST QUARTER CORNER OF SAID SECTION 23, SAID POINT BEING A POINT ON THE SOUTH BOUNDARY LINE OF THE SAMAREL FAMILY INVEST CO. LLC PROPERTY, TAX ID. NO. 20-035-0075;

RUNNING THENCE SOUTH 51°12'51" WEST 137.00 FEET TO A POINT 63.00 FEET PERPENDICULAR TO THE CENTERLINE OF SNOW BASIN ROAD; THENCE ON A LINE PARALLEL TO AND 63.00' PERPENDICULAR TO SAID CENTERLINE NORTHWESTERLY ON A NON-TANGENT CURVE TO THE LEFT ALONG THE ARC OF A 196.70 FOOT RADIUS CURVE, A DISTANCE OF 111.93 FEET, CHORD BEARS NORTH 55°05'18" WEST 110.43 FEET, HAVING A CENTRAL ANGLE OF 32°36'17"; THENCE NORTH 18°36'34" EAST 137.00 FEET TO THE SOUTHWEST CORNER OF SAID SAMAREL FAMILY INVEST CO. LLC PROPERTY; THENCE SOUTHEASTERLY ON A NON-TANGENT CURVE TO THE RIGHT ALONG THE ARC OF A 333.70 FOOT RADIUS CURVE, A DISTANCE OF 189.89 FEET, CHORD BEARS SOUTH 55°05'56" EAST 187.33 FEET, HAVING A CENTRAL ANGLE OF 32°40'34" TO THE POINT OF BEGINNING. CONTAINING 20,675 SQUARE FEET OR 0.475 ACRES.



LEGEND

- Subject Property Line
- - - - - Adjoining property Line
- Centerline
- x-x-x-x- Fence Line
- Found rebar set by others
- Set 24"x5/8" Rebar with Cap
- ◆ Section Corner



(C1)	(C2)
Δ = 83°15'42"	Δ = 82°57'50"
R = 333.70'	R = 196.70'
L = 484.93'	L = 284.82'
LC = 443.37'	LC = 260.58'
S 2°50'41" W	N 2°41'46" E
(C3)	(C4)
Δ = 32°36'17"	Δ = 32°40'34"
R = 196.70'	R = 333.70'
L = 111.93'	L = 189.89'
LC = 110.43'	LC = 187.33'
N 55°05'18" W	S 55°05'56" E

WEBER COUNTY COMMISSION ACCEPTANCE

Presented to the Weber County Commission this _____ day of _____ A.D., 2020, at which time this Road Vacation was Approved and Accepted.

Chairman, Weber County Commission

Attest

WEBER COUNTY SURVEYOR

I hereby certify that the Weber County Surveyor's Office has reviewed this Roadway Vacation Plat and all conditions for approval by this office have been satisfied. The approval of this Plat by the Weber County Surveyor does not relieve the Licensed Land Surveyor who executed this plat from the responsibilities and/or liabilities associated therewith.

Signed this _____ Day of _____, 2020.

Weber County Surveyor

WEBER COUNTY RECORDER

ENTRY NO. _____ FEE PAID _____ FILED FOR RECORD AND RECORDED _____ IN BOOK _____ OF OFFICIAL RECORDS, PAGE _____ RECORDED FOR _____

COUNTY RECORDER
DEPUTY

HAI HANSEN & ASSOCIATES, INC.
Consulting Engineers and Land Surveyors
538 North Main Street, Brigham, Utah 84302
Visit us at www.haies.net
Brigham City Ogden
(435) 723-3491 (801) 399-4905 (435) 752-8272
Celebrating over 60 Years of Business

