

LOT 246
 REGENCY DEVELOPMENT LC
 16-280-0004

NORTH OAKS COVE SUBDIVISION PHASE 14
 (ENTRY NO. 2342477)

SET REBAR & CAP
 1' OFFSET EASTERLY
 ON E

LOT 246
 RW CUSTOM, INC
 16-280-0003
 CONT. 0.353 ACRES

N 0°22'48" E
 122.15'

S 71°49'32" E
 159.49'

33.00'

33.00'

L = 95.05'
 (C1)

800 EAST

N 81°17'49" W
 BASIS OF BEARING
 131.79'

LOT 246
 CHRISTOPHER BROWN
 16-280-0002

(C1)
 $\Delta = 9^{\circ}28'16''$
 $R = 575.00'$
 $L = 95.05'$
 $LC = 94.94'$
 $S 13^{\circ}26'20'' W$

3625 NORTH

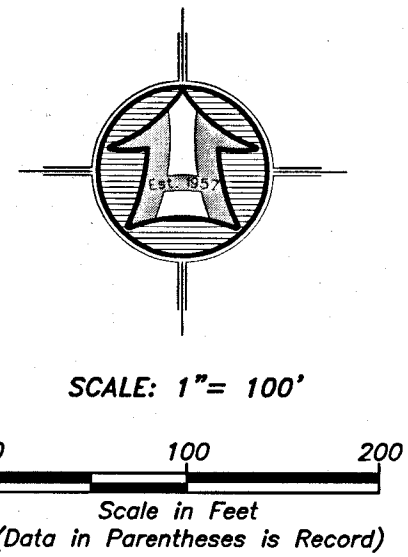
NARRATIVE

THE PURPOSE OF THIS SURVEY WAS TO ESTABLISH AND SET THE PROPERTY CORNERS OF THE PARCEL AS SHOWN AND DESCRIBED HEREON. THE SURVEY WAS ORDERED BY JORDAN FIRTH FOR RW CUSTOM, INC. THE CONTROL USED TO ESTABLISH THE PROPERTY CORNERS WAS THE EXISTING SURVEY MONUMENTATION AND THE OFFICIAL PLAT OF NORTH OAKS COVE SUBDIVISION PHASE 14, ENTRY NO. 2342477.

THE BASIS OF BEARING IS SOUTH LINE OF LOT 246 BETWEEN FOUND SURVEY MARKERS WHICH BEARS NORTH 81°17'49" WEST, AS SHOWN ON SAID NORTH OAKS COVE SUBDIVISION PHASE 14.

RECORD BOUNDARY DESCRIPTION

ALL OF LOT 246, NORTH OAKS COVE SUBDIVISION PHASE 14, NORTH OGDEN CITY, WEBER COUNTY, UTAH.



LEGEND

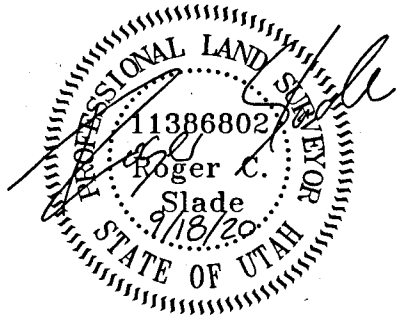
- SUBJECT PROPERTY LINE
- SUBDIVISION BOUNDARY
- ADJOINING PROPERTY LINE
- CENTERLINE
- FOUND SURVEY MARKER
- SET 5/8"X24" REBAR WITH CAP
- CENTERLINE MONUMENT

SURVEYOR'S CERTIFICATE

I, ROGER C. SLADE, DO HEREBY CERTIFY THAT I AM A REGISTERED PROFESSIONAL LAND SURVEYOR IN THE STATE OF UTAH IN ACCORDANCE WITH TITLE 58, CHAPTER 22, PROFESSIONAL ENGINEERS AND PROFESSIONAL LAND SURVEYORS ACT; AND BY THE AUTHORITY OF THE OWNERS, I HAVE COMPLETED A SURVEY OF THE PROPERTY DESCRIBED AND SHOWN HEREON THIS PLAT IN ACCORDANCE WITH SECTION 17-23-17 AND HAVE VERIFIED ALL MEASUREMENTS, AND THAT THE SAME HAS BEEN SURVEYED AND MONUMENTS HAVE BEEN LOCATED AND/OR PLACED ON THE GROUND AS REPRESENTED ON THE PLAT HEREON.

SIGNED THIS 18TH DAY OF SEPTEMBER, 2020.

ROGER C. SLADE, PLS
 UTAH LAND SURVEYOR LICENCE NO. 11386802



RECEIVED
 OCT 26 2020
 BY: 6670

PROPERTY SURVEY FOR RW CUSTOM, INC. 3645 NORTH 800 EAST NORTH OGDEN, WEBER CO., UTAH A PART OF THE SOUTHEAST QUARTER OF SECTION 21, T 7 N., R 1 W., S.L.B.&M.	
Drawn By: RS Designed By: Checked By: Approved By: Scale: 1" = 20' Drawing File: 20-3-26v15.dwg JOB NUMBER: 20-3-26	Date: 09/18/2020
HANSEN & ASSOCIATES, INC. Consulting Engineers and Land Surveyors 538 North Main Street, Brigham, Utah 84302 Visit us at www.haies.net Brigham City, Ogden, Logan (435) 723-3491 (801) 399-4905 (435) 762-8272 Celebrating over 60 Years of Business	
Sheet 1 Of 1 Sheets	No. Date By Revision