

SOUTH FORK ESTATES
(ENTRY NO. 1294114)

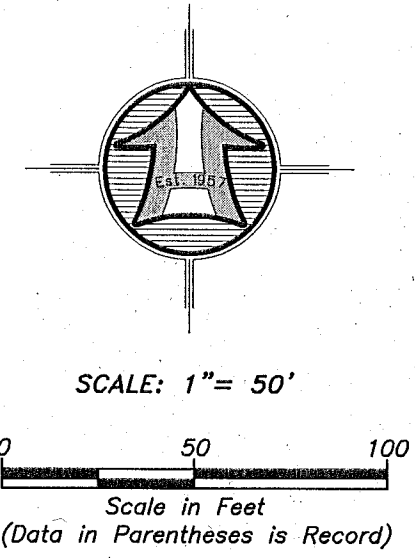
LOT 1
T2012 TRUST
21-070-0001

LOT 2
SUE & DARIUS HERZIG
21-070-0002

LOT 3
GILBERT & SONIA BENZ
21-070-0003

LOT 4
GILBERT & SONIA BENZ
21-070-0004

LOT 5
ERICH TAYLOR
21-070-0005



- LEGEND**
- SUBJECT PROPERTY LINE
 - SUBDIVISION BOUNDARY
 - ADJOINING PROPERTY LINE
 - PLATTED PROPERTY LINE
 - CENTERLINE
 - EXISTING EDGE OF GRAVEL
 - FENCE LINE
 - R/W MONUMENT
 - FOUND REBAR SET BY OTHERS
 - SET 5/8"x24" REBAR WITH CAP
 - SECTION CORNER
 - CALCULATED SECTION CORNER

(C1)
 Δ = 15°01'47"
 R = 533.70'
 L = 140.00'
 LC = 139.61'
 N 77°18'55" W

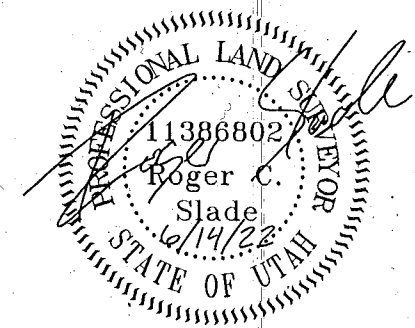
RECORD BOUNDARY DESCRIPTION
ALL OF LOT 2, SOUTH FORK ESTATES, WEBER COUNTY, UTAH.

SURVEYOR'S CERTIFICATE

I, ROGER C. SLADE, DO HEREBY CERTIFY THAT I AM A REGISTERED PROFESSIONAL LAND SURVEYOR IN THE STATE OF UTAH IN ACCORDANCE WITH TITLE 58, CHAPTER 22, PROFESSIONAL ENGINEERS AND PROFESSIONAL LAND SURVEYORS ACT; AND BY THE AUTHORITY OF THE OWNERS, I HAVE COMPLETED A SURVEY OF THE PROPERTY DESCRIBED AND SHOWN HEREON THIS PLAT IN ACCORDANCE WITH SECTION 17-23-17 AND HAVE VERIFIED ALL MEASUREMENTS, AND THAT THE SAME HAS BEEN SURVEYED AND MONUMENTS HAVE BEEN LOCATED AND/OR PLACED ON THE GROUND AS REPRESENTED ON THE PLAT HEREON.

SIGNED THIS 14TH DAY OF JUNE, 2022.

ROGER C. SLADE, PLS
UTAH LAND SURVEYOR LICENCE NO. 11386802



NARRATIVE

THE PURPOSE OF THIS SURVEY WAS TO ESTABLISH AND SET THE PROPERTY CORNERS OF THE PARCEL AS SHOWN AND DESCRIBED HEREON. THE SURVEY WAS ORDERED BY AARON YOUNG. THE CONTROL USED TO ESTABLISH THE PROPERTY CORNERS WAS THE OFFICIAL PLAT OF SOUTH FORK ESTATES, RECORDED AS ENTRY NO. 1294114 AND FOUND REBAR WITHIN SAID SOUTH FORK ESTATES SITUATED IN SECTION 12, T6N, R2E, SLB&M.

A FOUND MOUNTAIN WEST REBAR, BEING THE ORIGINAL MONUMENTATION, ON THE EAST LINE OF LOT 2 WAS HELD OVER THE PLATTED BEARINGS AND DISTANCES.

THE BASIS OF BEARING IS THE SOUTH LINE OF THE SOUTHWEST QUARTER OF SECTION 11 WHICH BEARS NORTH 89°47'23" WEST, AN ASSUMED BEARING ROTATED TO MATCH THE BEARINGS SHOWN ON THE OFFICIAL PLAT OF SAID SOUTH FORK ESTATES.

RECEIVED
JUL 14 2022
BY: 2294

PROPERTY SURVEY FOR
AARON YOUNG
11160 EAST HWY 39
HUNTSVILLE, WEBER COUNTY, UTAH
A PART OF THE SOUTHWEST QUARTER OF SECTION 12
TOWNSHIP 6 NORTH, RANGE 2 EAST, S.L.B.&M.

Drawn By: RS Date: 06/29/2022
Designed By: MF
Checked By: MF
Approved By: MF
Scale: 1" = 50'
Drawing File: 22-3-12119.dwg
JOB NUMBER: 22-3-121

HANSEN & ASSOCIATES, INC.
Consulting Engineers and Land Surveyors
538 North Main Street, Brigham, Utah 84302
Brigham City, UT
(435) 733-3491 (801) 399-4905 (435) 732-8272
Celebrating over 60 Years of Business

Sheet
1
of
1
Sheets