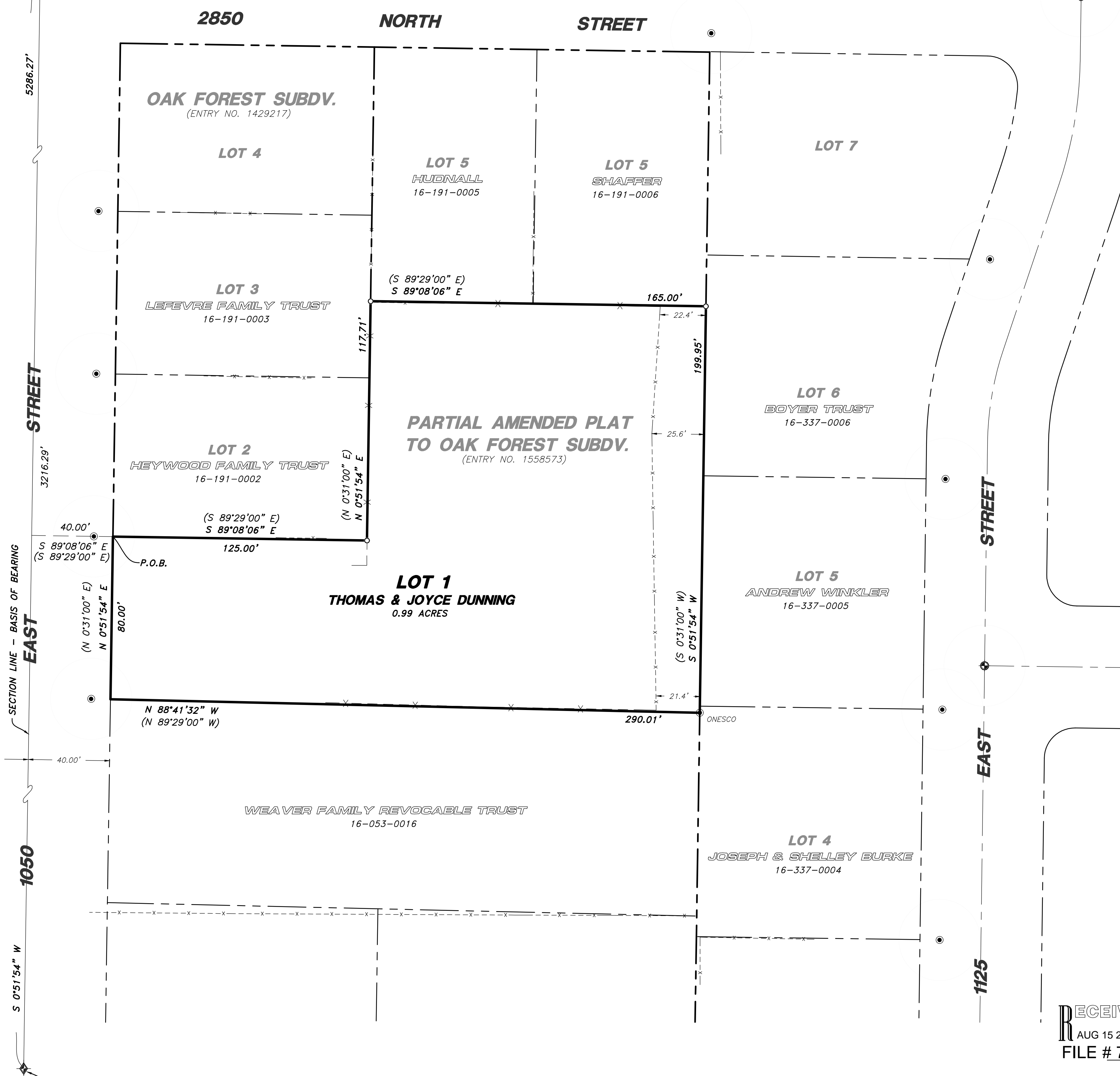


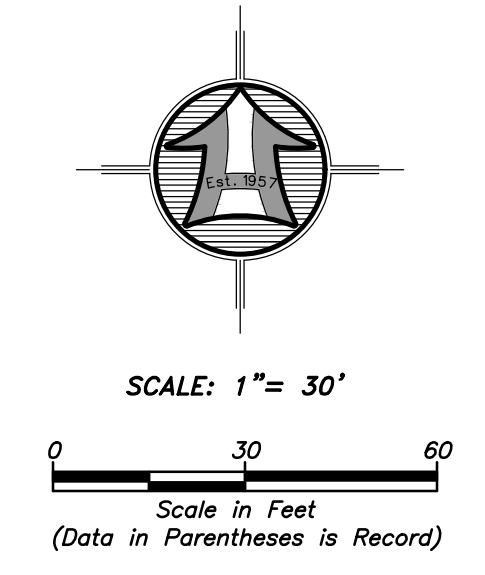
NORTHWEST CORNER OF SEC. 27,  
T. 7 N., R. 1 W., SLB&M  
FOUND WEBER CO. BRASS CAP MONUMENT



SOUTHWEST CORNER OF SEC. 27,  
T. 7 N., R. 1 W., SLB&M  
FOUND WEBER CO. BRASS CAP MONUMENT

**RECORD BOUNDARY DESCRIPTION**  
ALL OF LOT 1, OAK FOREST SUBDIVISION, AMENDED, NORTH OGDEN CITY, WEBER COUNTY, UTAH.

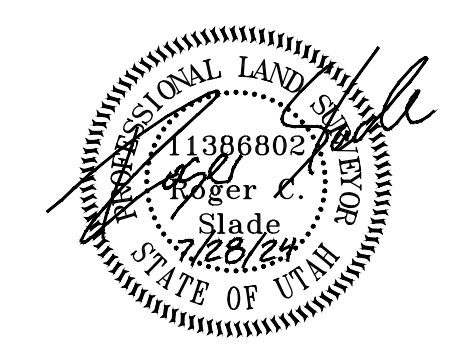
**NARRATIVE**  
THE PURPOSE OF THIS SURVEY WAS TO ESTABLISH AND SET THE PROPERTY CORNERS OF THE PARCEL AS SHOWN AND DESCRIBED HEREON. THE SURVEY WAS ORDERED BY TYLER ROESSLER. THE CONTROL USED TO ESTABLISH THE PROPERTY CORNERS WAS THE OFFICIAL PLAT OF PARTIAL AMENDED PLAT TO OAK FOREST SUBDIVISION ALONG WITH THE EXISTING WEBER COUNTY SURVEY MONUMENTATION SURROUNDING SECTION 27, T7N, R1W, SLB&M.  
THE BASIS OF BEARING IS THE WEST LINE OF SAID SECTION WHICH BEARS SOUTH 0°51'54" WEST, UTAH NORTH, STATE PLANE, CALCULATED N.A.D.83 BEARING.



- LEGEND**
- SUBJECT PROPERTY LINE
  - - - ADJOINING SUBDIVISION
  - - - ADJOINING PROPERTY LINE
  - - - CENTERLINE
  - - - FENCE LINE
  - STREET MONUMENT
  - FOUND REBAR SET BY OTHERS
  - SET 5/8"x24" REBAR WITH CAP
  - SECTION CORNER

**SURVEYOR'S CERTIFICATE**  
I, ROGER C. SLADE, DO HEREBY CERTIFY THAT I AM A REGISTERED PROFESSIONAL LAND SURVEYOR IN THE STATE OF UTAH IN ACCORDANCE WITH TITLE 58, CHAPTER 22, PROFESSIONAL ENGINEERS AND PROFESSIONAL LAND SURVEYORS ACT; AND BY THE AUTHORITY OF THE OWNERS, I HAVE COMPLETED A SURVEY OF THE PROPERTY DESCRIBED AND SHOWN HEREON THIS PLAT IN ACCORDANCE WITH SECTION 17-23-17 AND HAVE VERIFIED ALL MEASUREMENTS, AND THAT THE SAME HAS BEEN SURVEYED AND MONUMENTS HAVE BEEN LOCATED AND/OR PLACED ON THE GROUND AS REPRESENTED ON THE PLAT HEREON.  
SIGNED THIS 28TH DAY OF JULY, 2024.

ROGER C. SLADE, PLS  
UTAH LAND SURVEYOR LICENSE NO. 11386802



RECEIVED  
AUG 15 2024  
FILE # 7866

PROPERTY SURVEY FOR  
**THOMAS & JOYCE DUNNING**  
2828 NORTH 1050 EAST  
NORTH OGDEN, WEBER COUNTY, UTAH  
A PART OF THE SOUTHWEST QUARTER OF SECTION 27,  
TOWNSHIP 7 NORTH, RANGE 1 WEST, S.L.B.&M.

Drawn By: RS Date: 07/22/2024  
Designed By: JRP  
Checked By: JRP  
Approved By: [Signature]  
Scale: 1" = 30'  
Drawing File: 24-3-162x198.dwg  
JOB NUMBER: 24-3-162

**HAI**  
HANSEN & ASSOCIATES, INC.  
Consulting Engineers and Land Surveyors  
538 North Main Street, Brigham, Utah 84302  
Visit us at www.hai.com  
Logan  
Brigham City  
(435) 723-3491 (801) 399-4905 (435) 752-8272  
Celebrating over 68 Years of Business

Sheet  
**1**  
of  
**1**  
Sheets